

Dual-in-line pin headers 2.54mm

Open frame
Surface mount



深圳平志电子有限公司
SHENZHEN PIZCONN ELECTRONIC CO.,LTD

TEL:86-755-84106483 61121902

FAX:86-755-61121902

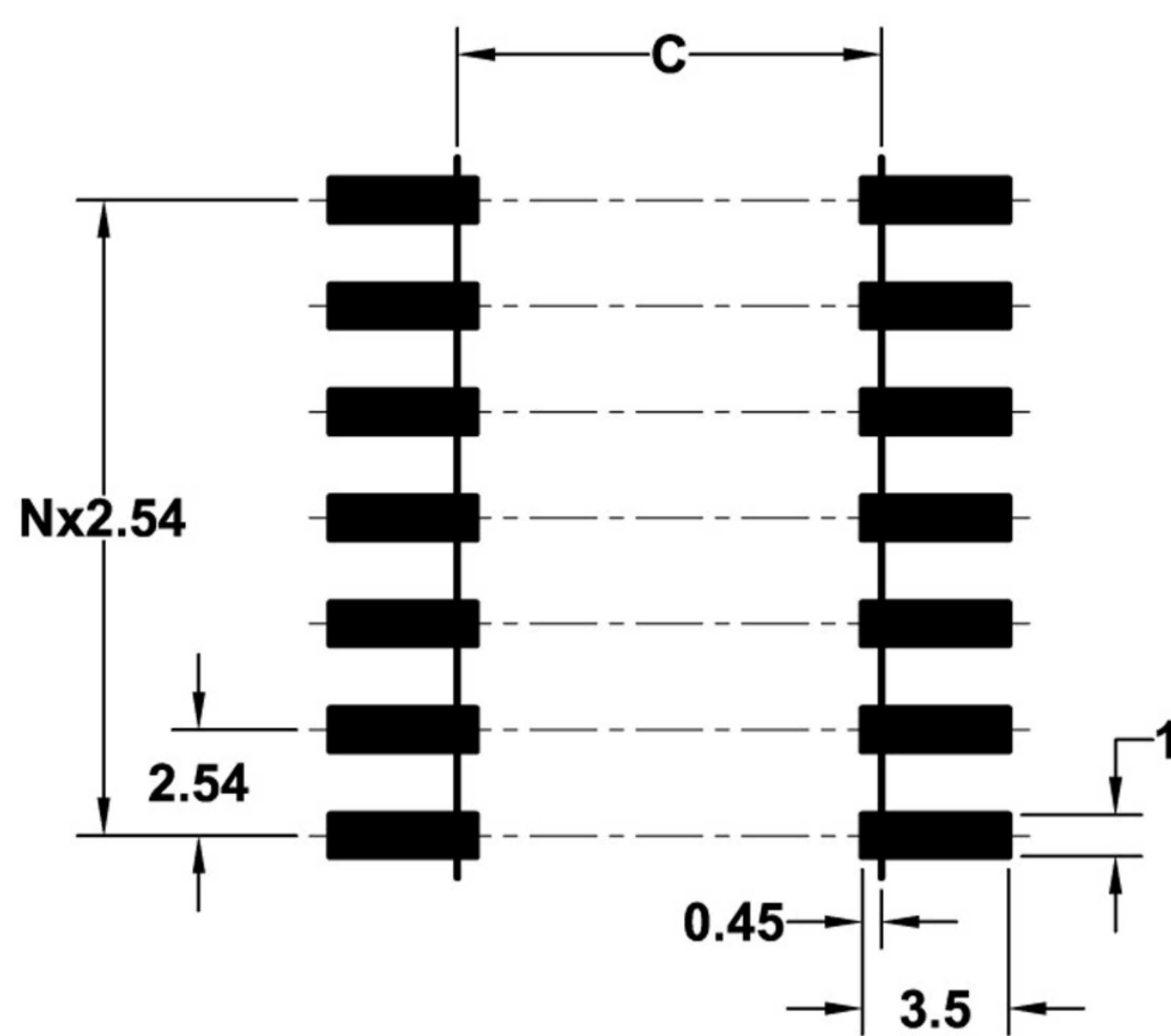
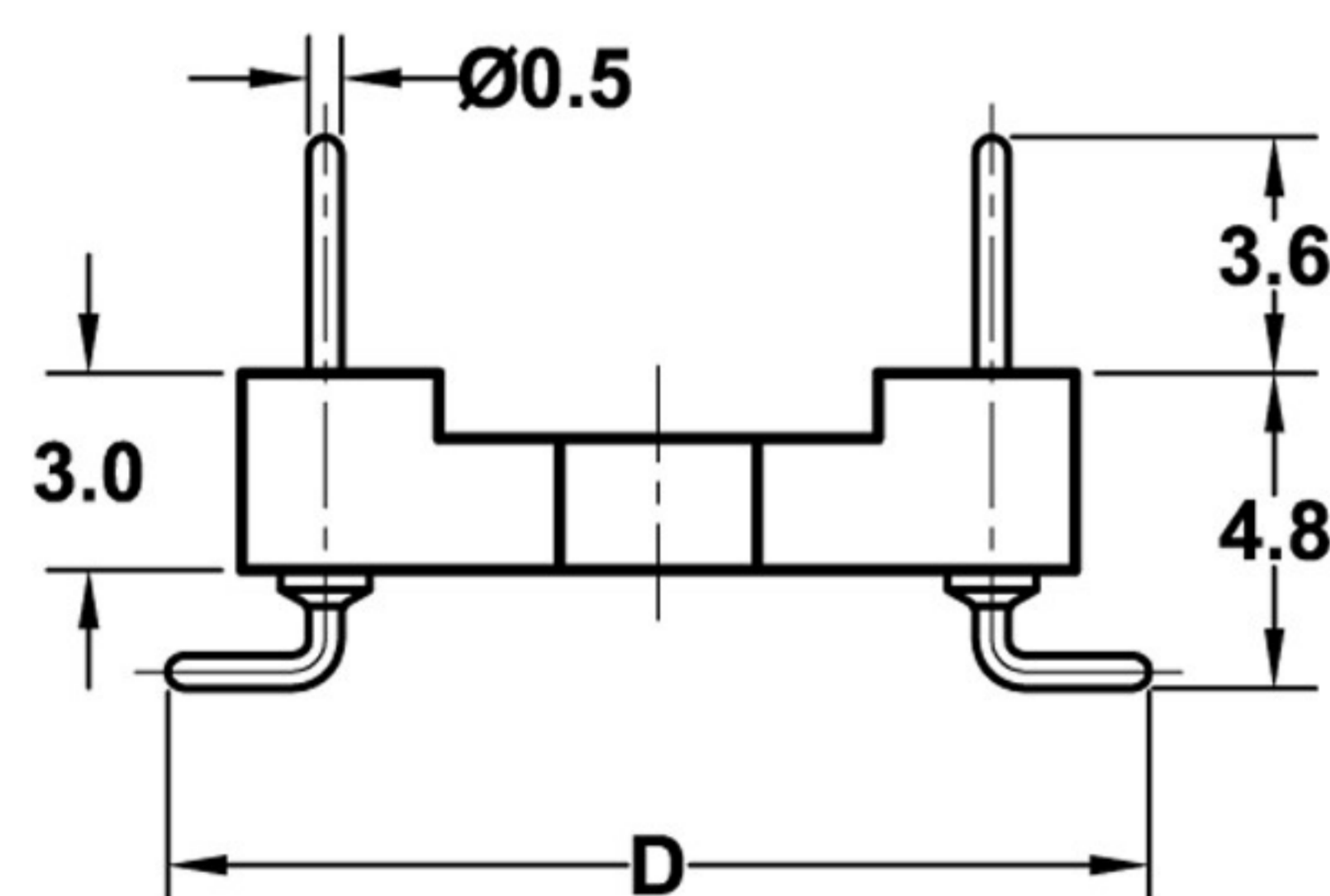
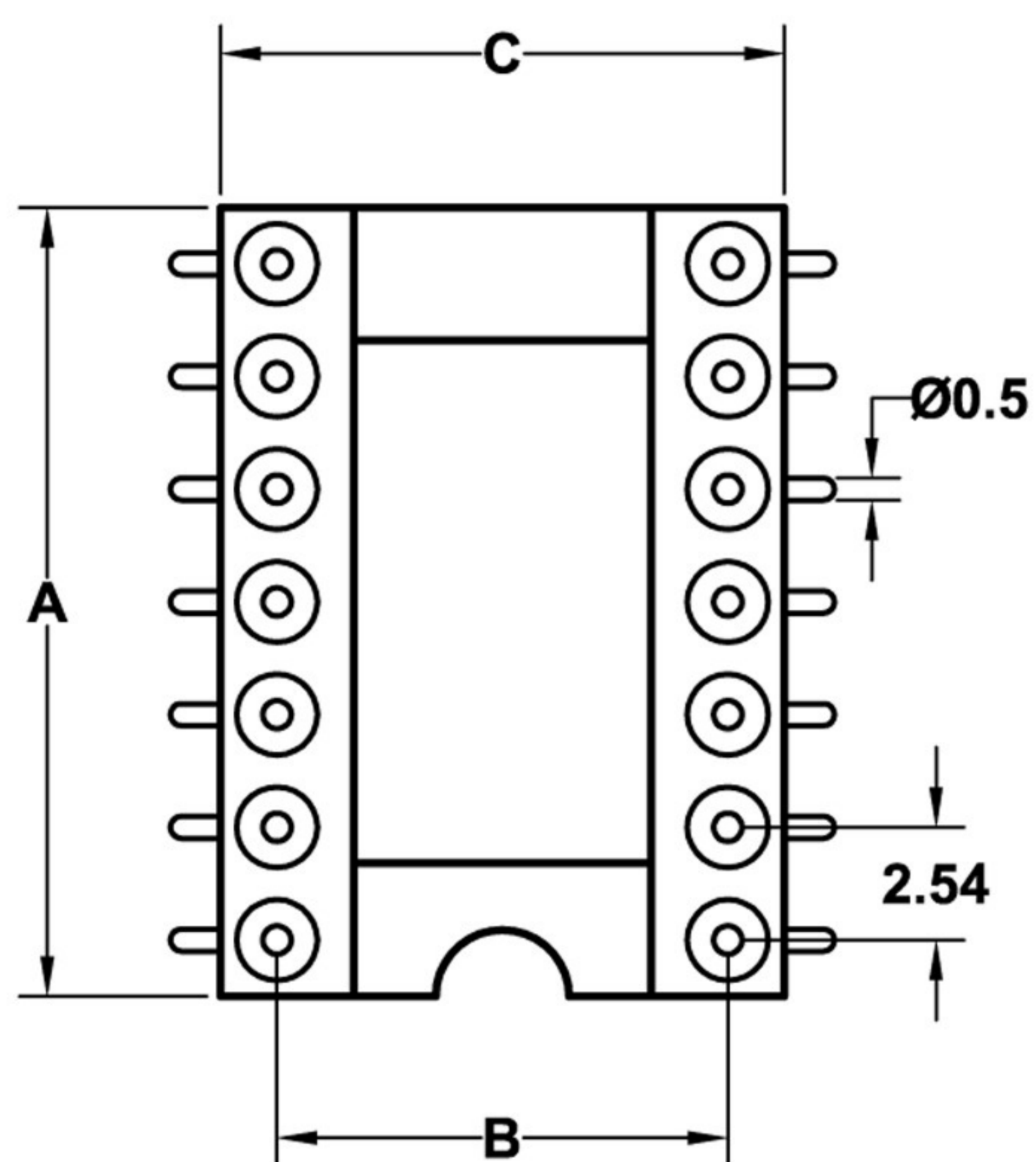
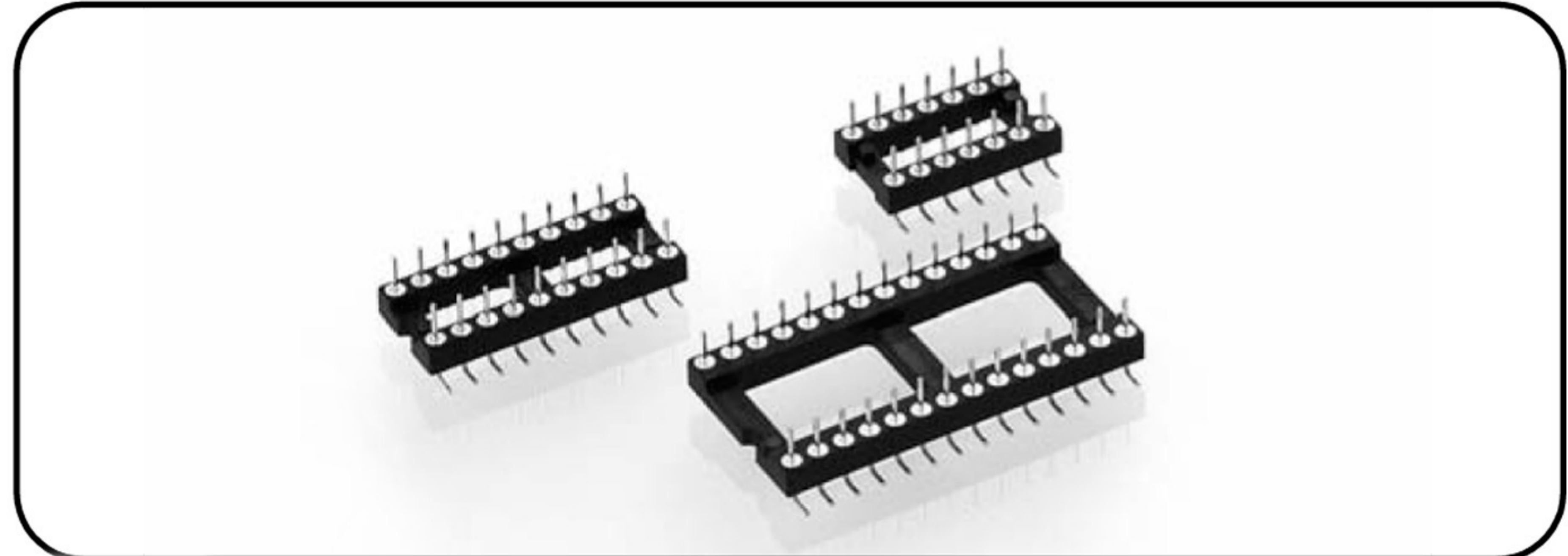
E-mail:ivan@pizconn.com.cn

Ordering information

GPD3 - NNN X - B P 1020A

No. of Positions	Row spacing code	Pin Plating code
3	7.62mm	1 Tin150μ"
4	10.16mm	2 Tin200μ"
6	15.24mm	3 GF
9	22.86mm	4 Gold2μ"
		5 Gold3μ"
		6 Gold10μ"
		7 Gold15μ"
		S Special

Series: GPD3



Specially designed for reflow soldering including vapor phase. With male contacts pluggable into standard socket contacts and gull wing terminations

Insulator:	Black glass filled polyester PPS-GF30-FR
Flammability:	UL 94V-O
Sleeve:	Brass CuZn 36Pb3(36000)
Mating pin Ø:	0.50 mm
Mechanical life:	min 100 cycles
Rated current:	1 A
Contact resistance:	max 10 mΩ
Dielectric strength:	min 1000V _{RMS}
Coplanar SMD terminations:	max 0.1mm

fig. 17	24	30.5	15.24	17.7	19.92	GPD3-0246-BP1020A
fig. 18	28	35.5	15.24	17.7	19.92	GPD3-0286-BP1020A
fig. 19	32	40.6	15.24	17.7	19.92	GPD3-0326-BP1020A
fig. 20	36	45.7	15.24	17.7	19.92	GPD3-0366-BP1020A
fig. 21	40	50.8	15.24	17.7	19.92	GPD3-0406-BP1020A
fig. 22	42	53.3	15.24	17.7	19.92	GPD3-0426-BP1020A
fig. 23	48	60.9	15.24	17.7	19.92	GPD3-0486-BP1020A

See page 50	No. of Positions	A	B	C	D	Order Codes
fig. 1	6	7.6	7.62	10.1	12.30	GPD3-0063-BP1020A
fig. 2	8	10.1	7.62	10.1	12.30	GPD3-0083-BP1020A
fig. 3	10	12.6	7.62	10.1	12.30	GPD3-0103-BP1020A
fig. 4	12	15.2	7.62	10.1	12.30	GPD3-0123-BP1020A
fig. 5	14	17.7	7.62	10.1	12.30	GPD3-0143-BP1020A
fig. 6	16	20.3	7.62	10.1	12.30	GPD3-0163-BP1020A
fig. 7	18	22.8	7.62	10.1	12.30	GPD3-0183-BP1020A
fig. 8	20	25.3	7.62	10.1	12.30	GPD3-0203-BP1020A
fig. 9	22	27.8	7.62	10.1	12.30	GPD3-0223-BP1020A
fig. 10	24	30.4	7.62	10.1	12.30	GPD3-0243-BP1020A
fig. 11	28	35.5	7.62	10.1	12.30	GPD3-0283-BP1020A
fig. 12	20	25.4	10.16	12.6	14.84	GPD3-0204-BP1020A
fig. 13	22	27.8	10.16	12.6	14.84	GPD3-0224-BP1020A
fig. 14	24	30.4	10.16	12.6	14.84	GPD3-0244-BP1020A
fig. 15	28	35.5	10.16	12.6	14.84	GPD3-0284-BP1020A
fig. 16	32	40.6	10.16	12.6	14.84	GPD3-0324-BP1020A