

Sockets for Plastic Leaded Chip Carriers (PLCC)

SMT terminations



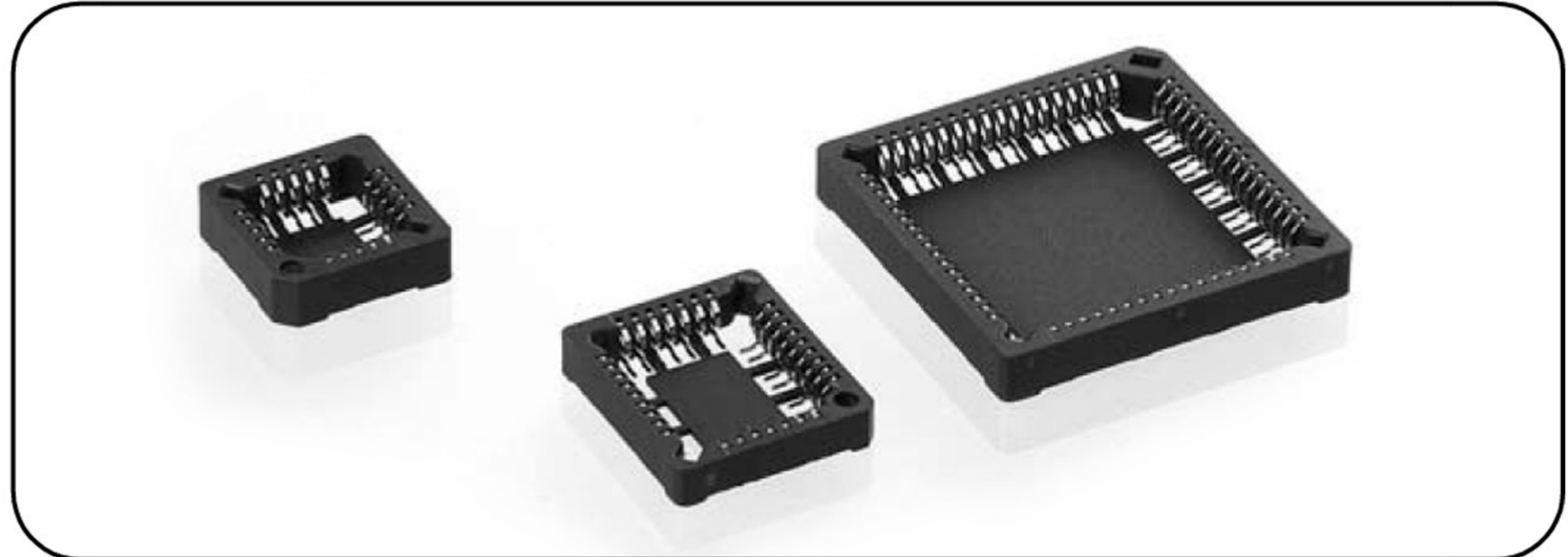
TEL:86-755-84106483 61121902
 FAX:86-755-61121902
 E-mail:ivan@pizconn.com.cn

Ordering information

GTD- NN - A C P A

No. of Positions	Body colour code	Clip Plating code
	1 Black	1 Tin150μ"
	2 Brown	2 Tin200μ"
		3 GF
		4 Gold2μ"
		5 Gold3μ"
		6 Gold10μ"
		7 Gold15μ"
		S Special

Series: GTD

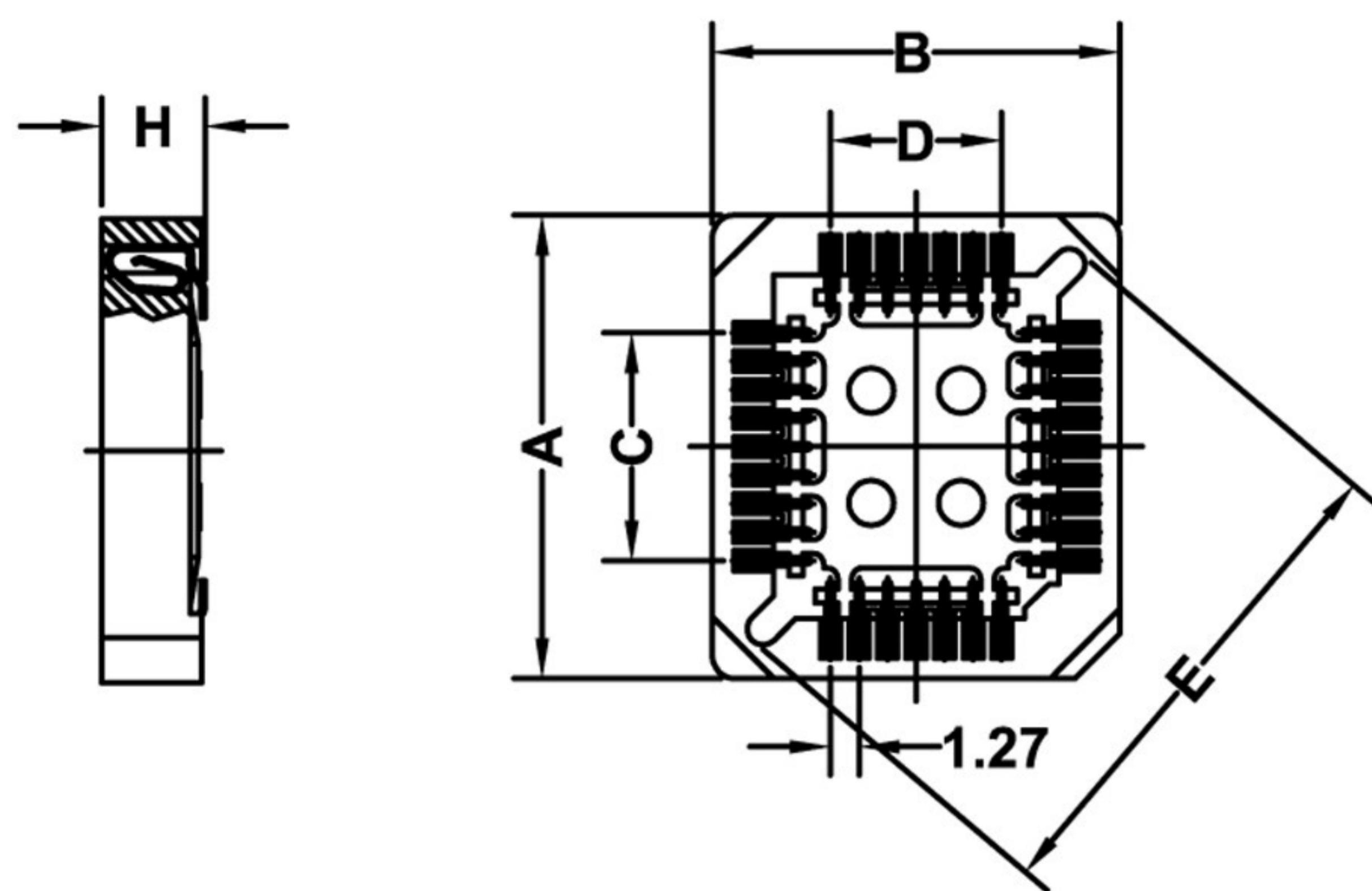


No. of poles	A/B	C/D	E	H	Order Codes
20	14.86	5.08	16.00	4.30/4.60	GTD-20-ACPA
28	17.40	7.62	19.70	4.30/4.60	GTD-28-ACPA
32	19.50/ 16.90	10.16/ 7.62	22.20	4.30/4.60	GTD-32-ACPA
44	22.50	12.70	27.20	4.30/4.60	GTD-44-ACPA
52	25.10	15.24	30.80	4.30/4.60	GTD-52-ACPA
68	30.20	20.32	37.30	4.30/4.60	GTD-68-ACPA
84	35.20	25.40	44.50	4.30/4.60	GTD-84-ACPA

Series PLD PLCC sockets with SMT terminations come with square sizes for IC-packages according to JEDEC MO-047, rectangular size(32) according to JEDEC MO-052=low profile

Technical Specs:

Insulator:	Glass filled thermoplastic PPS-GF30-FR
Flammability:	UL 94V-O
Contact:	phosphor bronze
Contact pressure:	min 1.5 N per contact
Mechanical life:	min 50 cycles
Rated current:	1 A
Contact resistance:	max 20 mΩ
Dielectric strength:	min 600V _{RMS}
Insertion resistance:	min 5000 MΩ
Capacitance:	max 2pF
Coplanarity SMD termination:	max 0.1mm



PCB layout Series PLD, SMD types

