

Dual-in-line pin headers 2.54mm

Open frame
Solder tail



深圳平志电子有限公司
SHENZHEN PIZCONN ELECTRONIC CO.,LTD

TEL:86-755-84106483 61121902

FAX:86-755-61121902

E-mail:ivan@pizconn.com.cn

Ordering information

GPA6- NNN X - B P XXXX A	
No. of Positions	Row spacing code
	3 7.62mm
	4 10.16mm
	6 15.24mm
	9 22.86mm
	Pin Plating code
	1 Tin150μ"
	2 Tin200μ"
	3 GF
	4 Gold2μ"
	5 Gold3μ"
	6 Gold10μ"
	7 Gold15μ"
	S Special
	Pin Length code
	1000=10.00mm
	1196=11.96mm
	1220=12.20mm
	1370=13.70mm

Series: GPA6

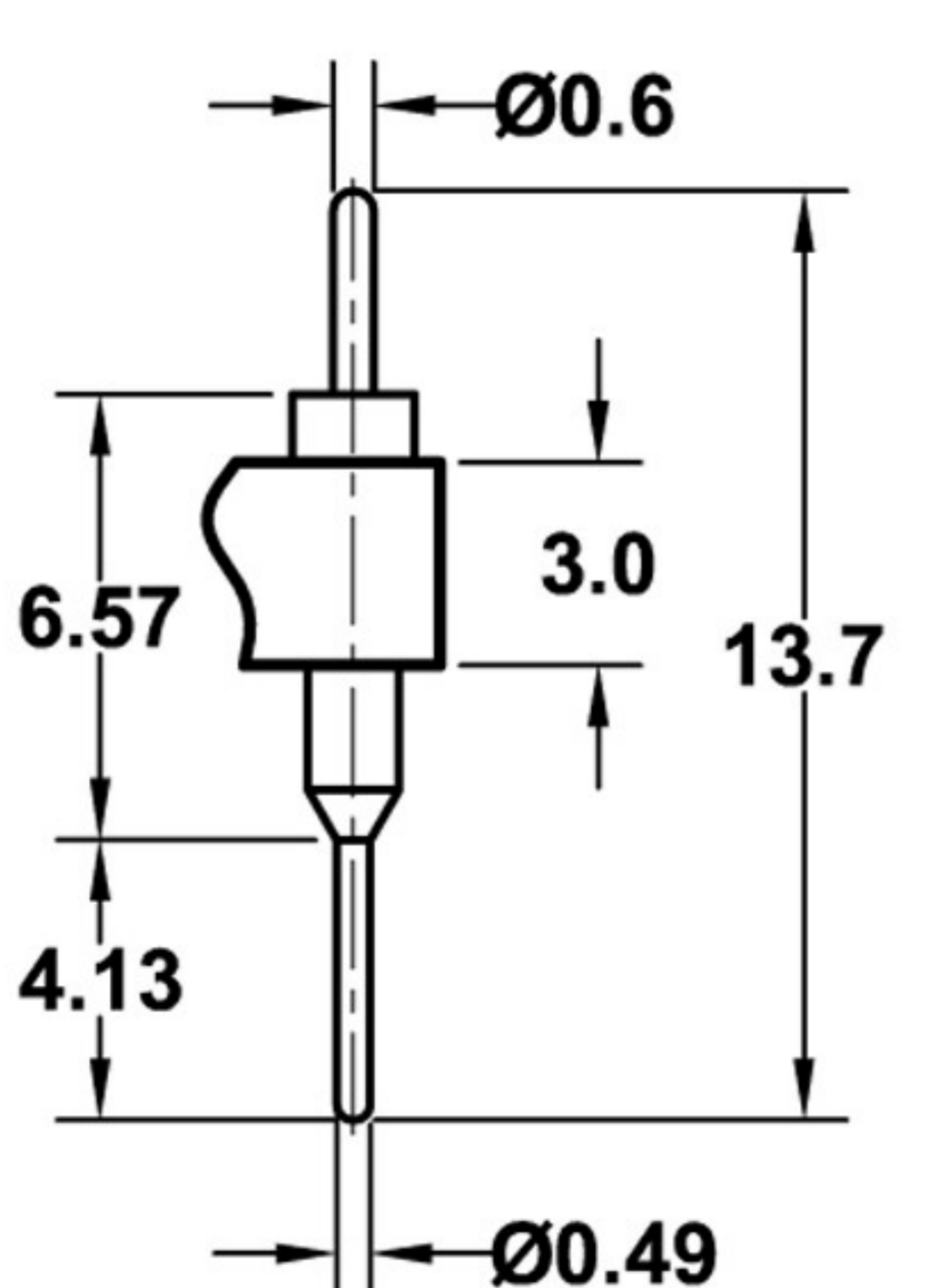
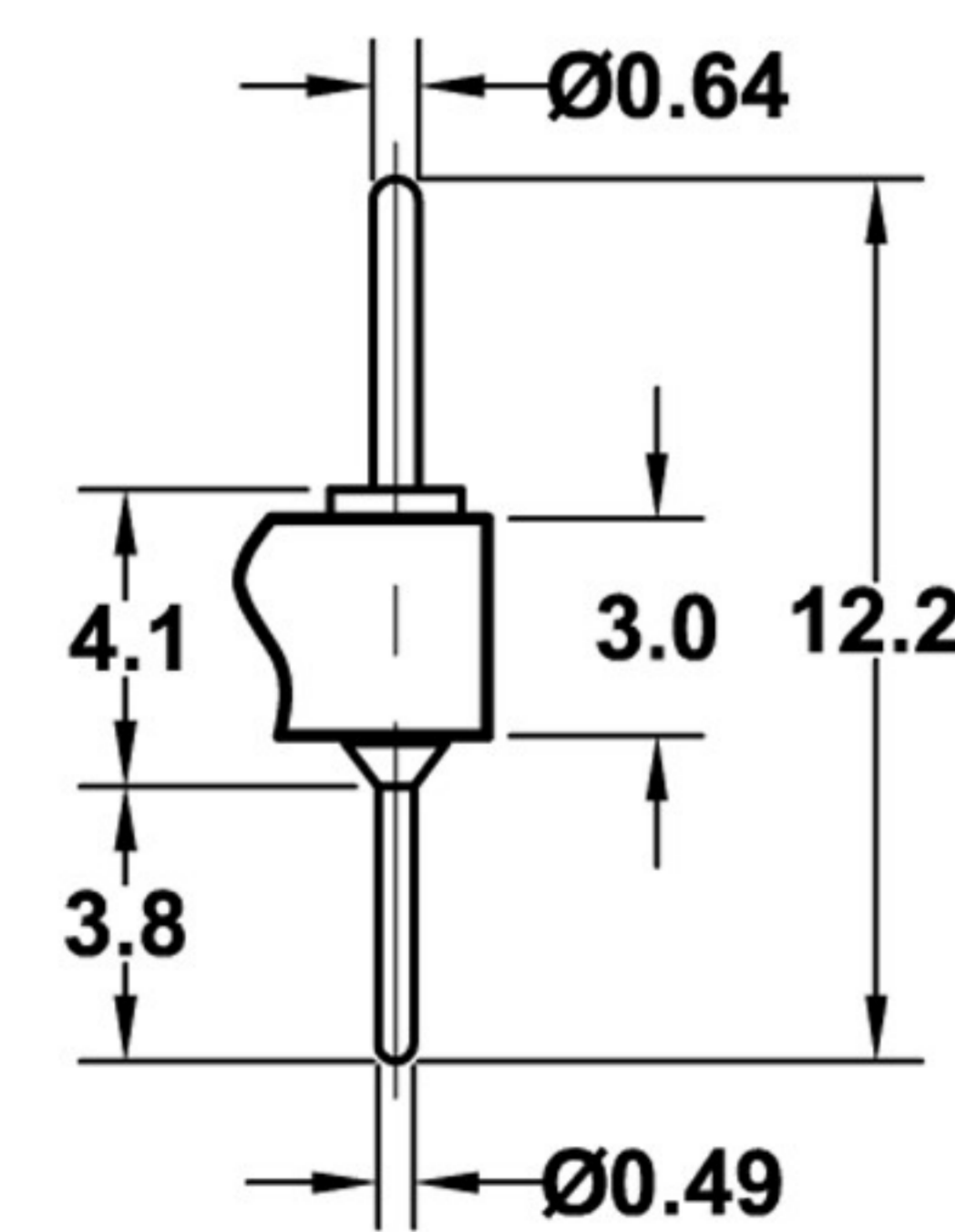
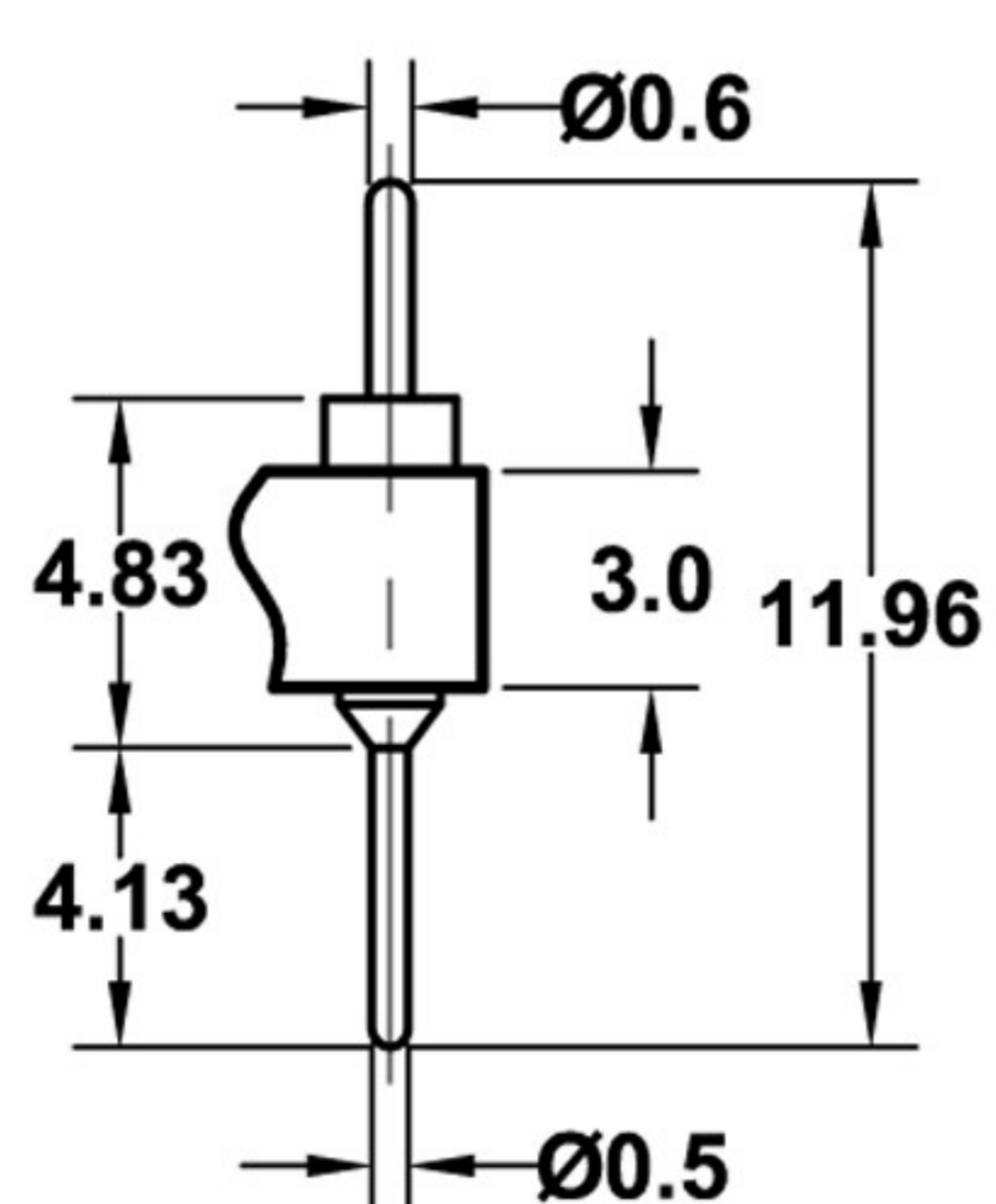
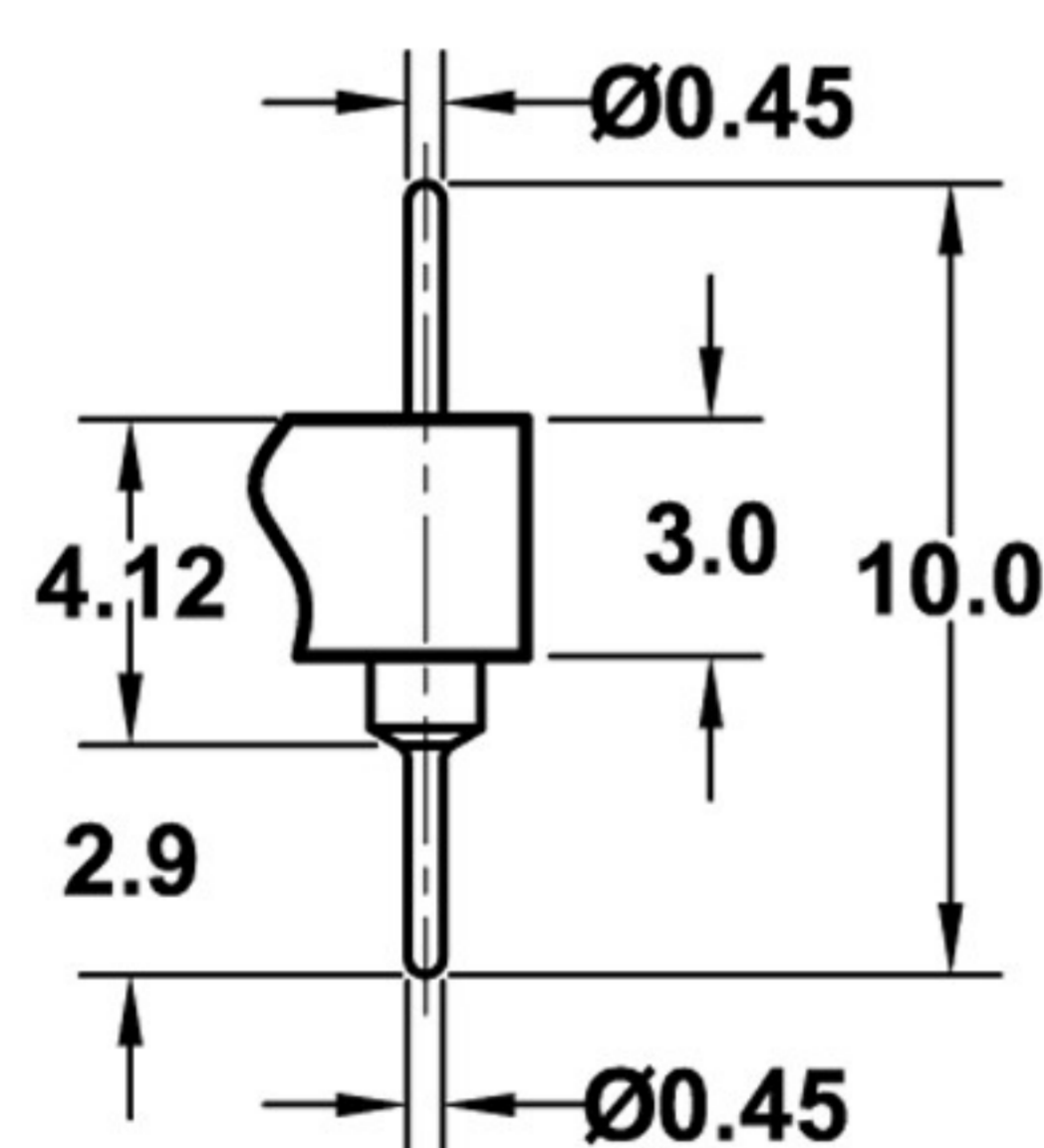
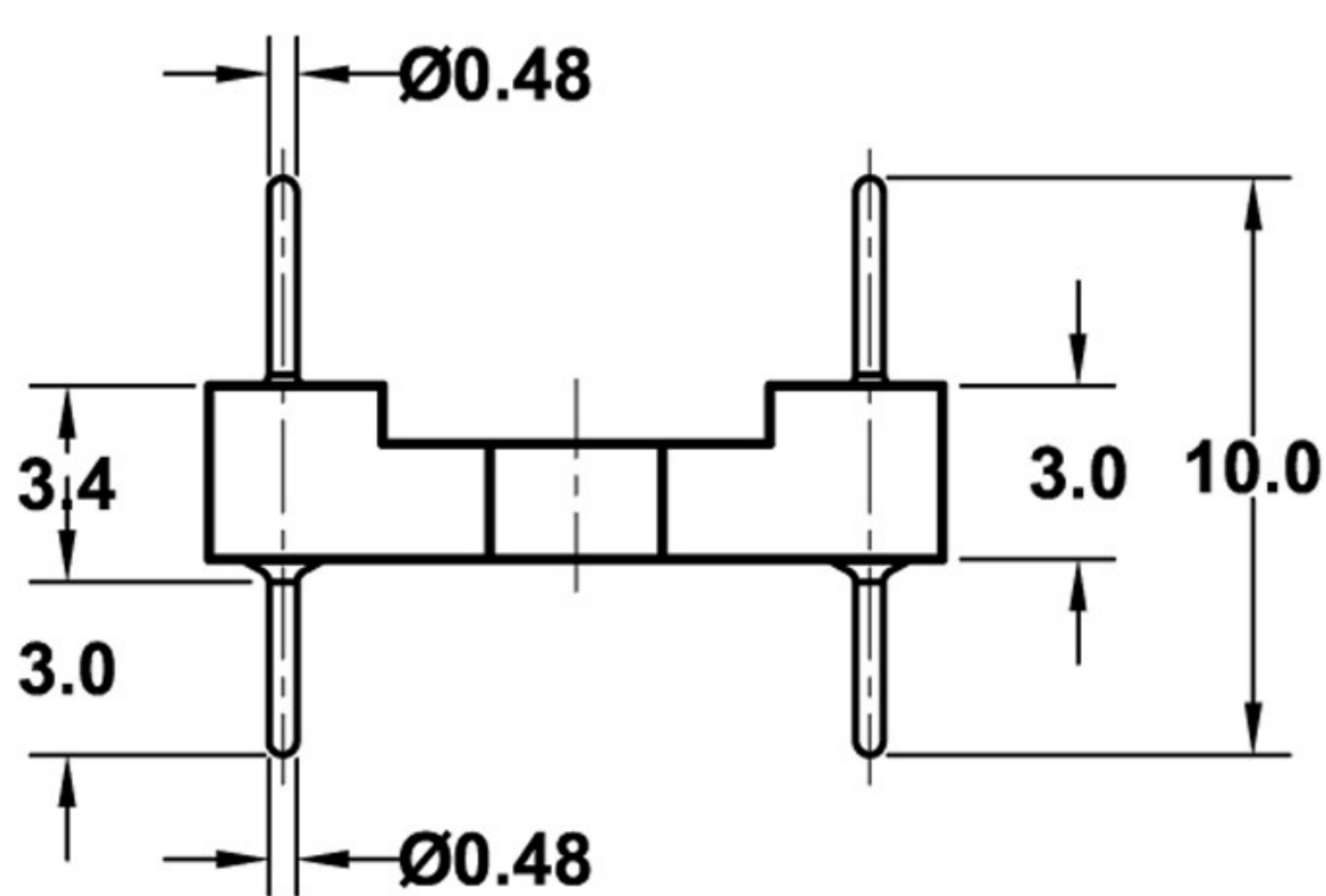
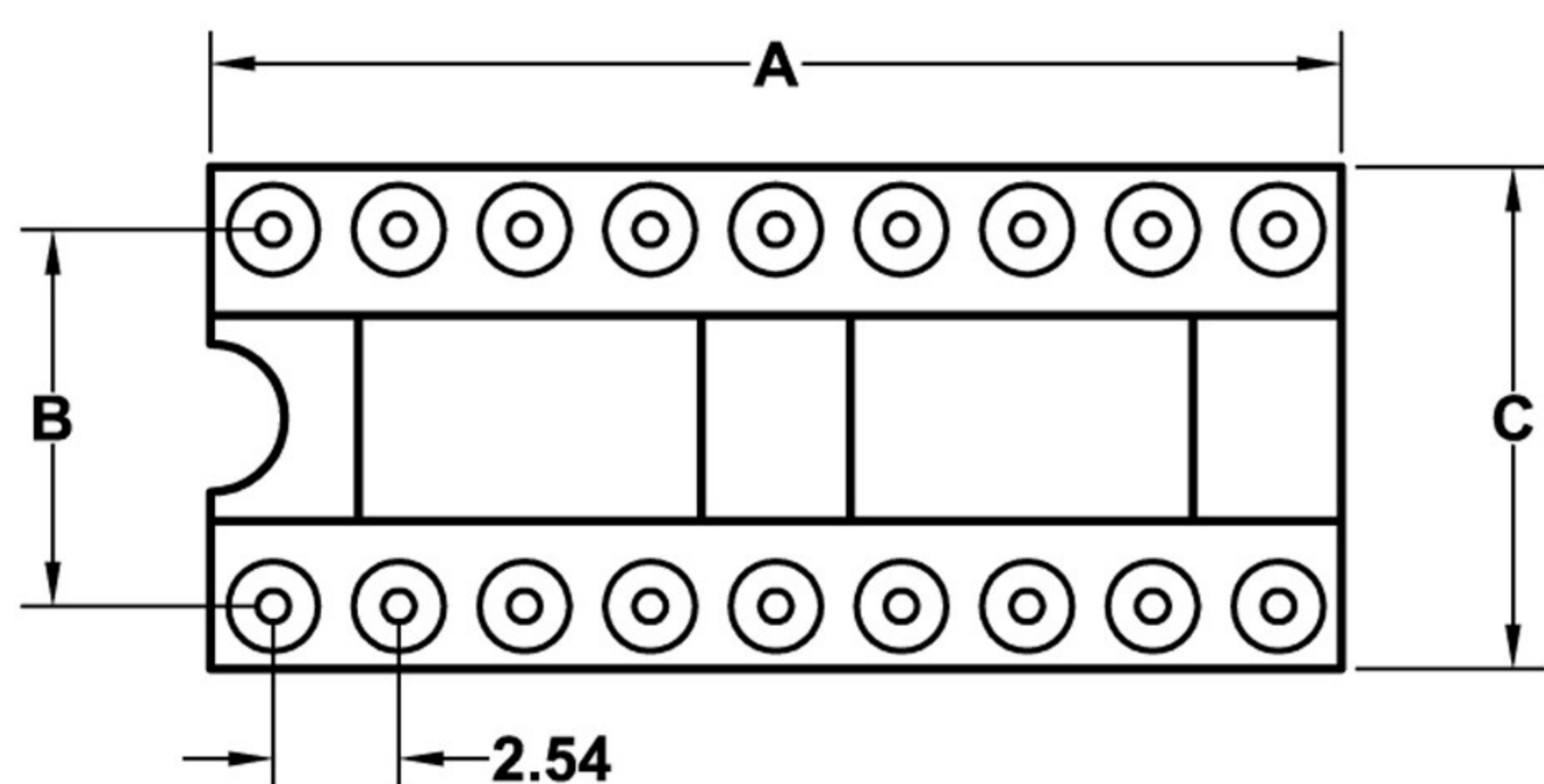
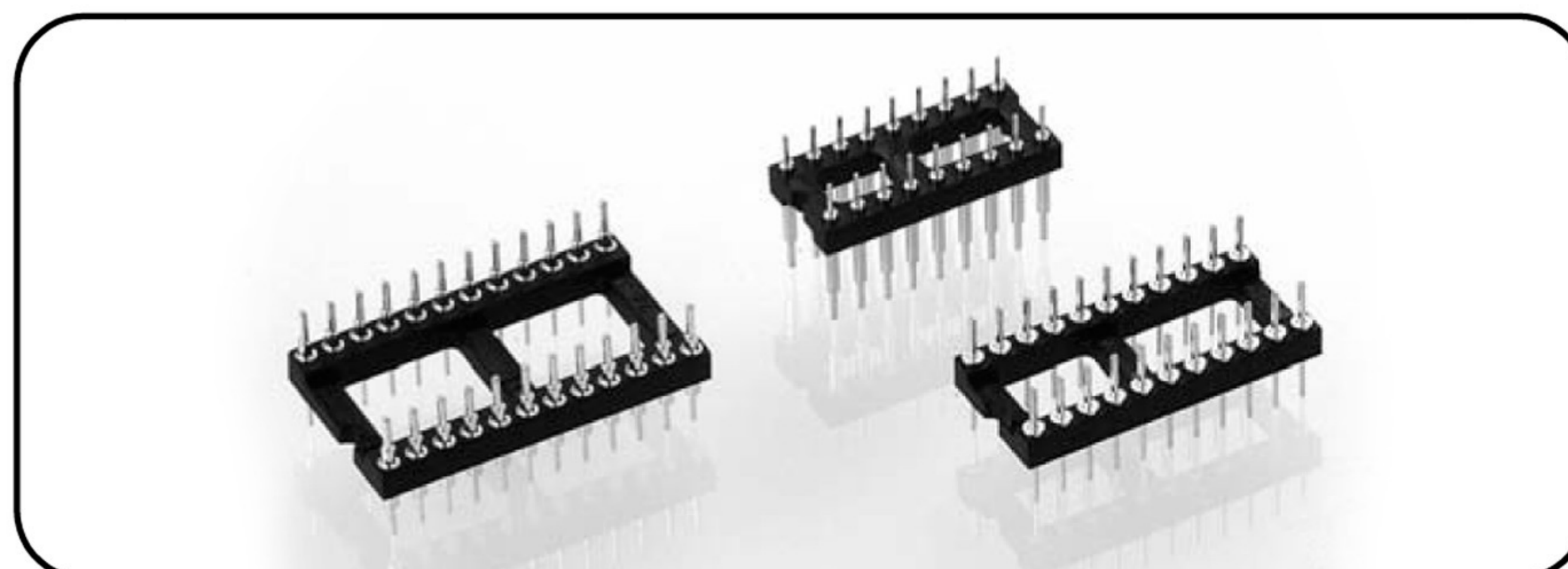


fig. 26	50	63.5	22.86	25.3	GPA6-0509-BPXXXXA
fig. 27	52	66.0	22.86	25.3	GPA6-0529-BPXXXXA
fig. 28	64	81.2	22.86	25.3	GPA6-0649-BPXXXXA

DIL pin headers with male contacts pluggable into standard female socket contacts

Technical Specs:

Insulator:	Black glass filled polyester PBT-GF30-FR
Flammability:	UL 94V-O
Sleeve:	Brass CuZn 36Pb3(36000)
Mating pin Ø:	0.45 mm / 0.48 mm / 0.60 mm / 0.64 mm
Mechanical life:	min 100 cycles
Rated current:	1 A
Contact resistance:	max 10 mΩ
Dielectric strength:	min 1000V _{RMS}

See page 46	No. of Positions	A	B	C	Order Codes
fig. 1	6	7.6	7.62	10.1	GPA6-0063-BPXXXXA
fig. 2	8	10.1	7.62	10.1	GPA6-0083-BPXXXXA
fig. 3	10	12.6	7.62	10.1	GPA6-0103-BPXXXXA
fig. 4	12	15.2	7.62	10.1	GPA6-0123-BPXXXXA
fig. 5	14	17.7	7.62	10.1	GPA6-0143-BPXXXXA
fig. 6	16	20.3	7.62	10.1	GPA6-0163-BPXXXXA
fig. 7	18	22.8	7.62	10.1	GPA6-0183-BPXXXXA
fig. 8	20	25.3	7.62	10.1	GPA6-0203-BPXXXXA
fig. 9	22	27.8	7.62	10.1	GPA6-0223-BPXXXXA
fig. 10	24	30.4	7.62	10.1	GPA6-0243-BPXXXXA
fig. 11	28	35.5	7.62	10.1	GPA6-0283-BPXXXXA
fig. 12	20	25.4	10.16	12.6	GPA6-0204-BPXXXXA
fig. 13	22	27.8	10.16	12.6	GPA6-0224-BPXXXXA
fig. 14	24	30.4	10.16	12.6	GPA6-0244-BPXXXXA
fig. 15	28	35.5	10.16	12.6	GPA6-0284-BPXXXXA
fig. 16	32	40.6	10.16	12.6	GPA6-0324-BPXXXXA
fig. 17	24	30.5	15.24	17.7	GPA6-0246-BPXXXXA
fig. 18	28	35.5	15.24	17.7	GPA6-0286-BPXXXXA
fig. 19	32	40.6	15.24	17.7	GPA6-0326-BPXXXXA
fig. 20	36	45.7	15.24	17.7	GPA6-0366-BPXXXXA
fig. 21	40	50.8	15.24	17.7	GPA6-0406-BPXXXXA
fig. 22	42	53.3	15.24	17.7	GPA6-0426-BPXXXXA
fig. 23	48	60.9	15.24	17.7	GPA6-0486-BPXXXXA
fig. 24	50	63.5	15.24	17.7	GPA6-0506-BPXXXXA
fig. 25	52	66.0	15.24	17.7	GPA6-0526-BPXXXXA