

Dual-in-line sockets 2.54mm

Open frame
Surface mount



深圳平志电子有限公司
SHENZHEN PIZCONN ELECTRONIC CO.,LTD

TEL:86-755-84106483 61121902

FAX:86-755-61121902

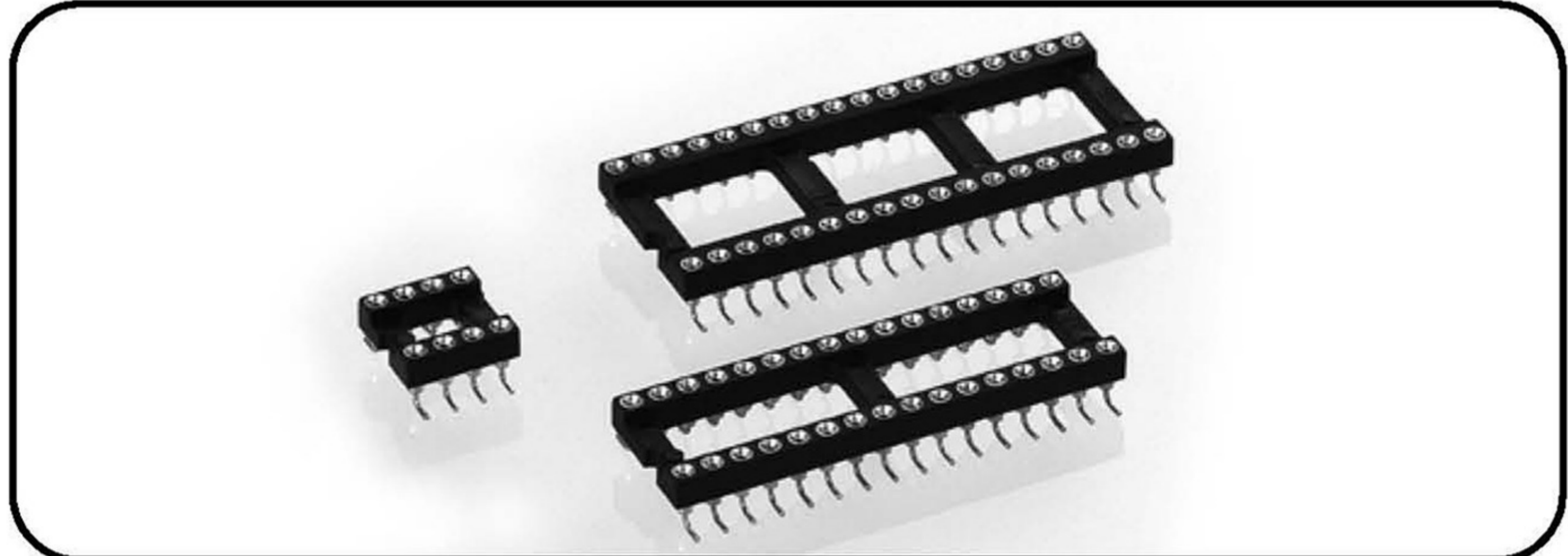
E-mail:ivan@pizconn.com.cn

Ordering information

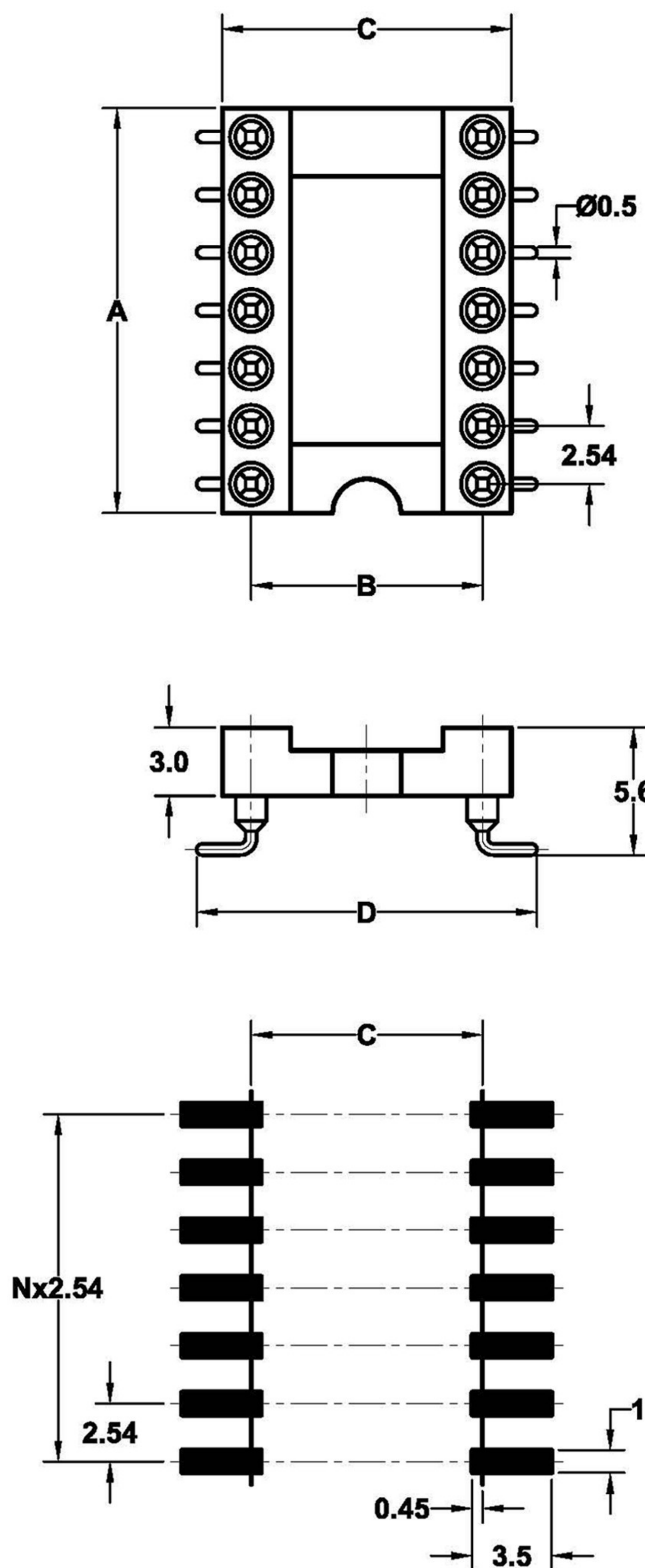
TPD4 - NNN X - B P P 0743A

No. of Positions	Row spacing code	Pin Plating code	Clip Plating code
3	7.62mm	1 Tin150μ"	1 Tin150μ"
4	10.16mm	2 Tin200μ"	2 Tin200μ"
6	15.24mm	3 GF	3 GF
9	22.86mm	4 Gold2μ"	4 Gold2μ"
		5 Gold3μ"	5 Gold3μ"
		6 Gold10μ"	6 Gold10μ"
		7 Gold15μ"	7 Gold15μ"
		S Special	S Special

Series: TPD4



Specially designed for reflow soldering including vapor phase. Gull wing terminations for maximum strength and easy in-circuit test



Insulator: Black glass filled polyester PPS-GF30-FR
 Flammability: UL 94V-O
 Sleeve: Brass CuZn 36Pb3(36000)
 Contact clip (4 finger): Beryllium copper (C17200)
 Mating pin Ø: 0.40 to 0.56 mm
 Forces: (polished steel gauge Ø 0.43mm)
 -Insertion: 2 N typ.
 -Withdrawal: 1 N typ.
 Mechanical life: min 100 cycles
 Rated current: 1 A
 Contact resistance: max 10 mΩ
 Dielectric strength: min 1000V_{RMS}
 Coplanarity SMD terminations: max 0.1mm

See page 44	No. of Positions	A	B	C	D	Order Codes
fig. 1	6	7.6	7.62	10.1	12.26	TPD4-0063-BPP0743A
fig. 2	8	10.1	7.62	10.1	12.26	TPD4-0083-BPP0743A
fig. 3	10	12.6	7.62	10.1	12.26	TPD4-0103-BPP0743A
fig. 4	12	15.2	7.62	10.1	12.26	TPD4-0123-BPP0743A
fig. 5	14	17.7	7.62	10.1	12.26	TPD4-0143-BPP0743A
fig. 6	16	20.3	7.62	10.1	12.26	TPD4-0163-BPP0743A
fig. 7	18	22.8	7.62	10.1	12.26	TPD4-0183-BPP0743A
fig. 8	20	25.3	7.62	10.1	12.26	TPD4-0203-BPP0743A
fig. 9	22	27.8	7.62	10.1	12.26	TPD4-0223-BPP0743A
fig. 10	24	30.4	7.62	10.1	12.26	TPD4-0243-BPP0743A
fig. 11	28	35.5	7.62	10.1	12.26	TPD4-0283-BPP0743A
fig. 12	20	25.4	10.16	12.6	14.80	TPD4-0204-BPP0743A
fig. 13	22	27.8	10.16	12.6	14.80	TPD4-0224-BPP0743A
fig. 14	24	30.4	10.16	12.6	14.80	TPD4-0244-BPP0743A
fig. 15	28	35.5	10.16	12.6	14.80	TPD4-0284-BPP0743A
fig. 16	32	40.6	10.16	12.6	14.80	TPD4-0324-BPP0743A
fig. 17	24	30.5	15.24	17.7	19.88	TPD4-0246-BPP0743A
fig. 18	28	35.5	15.24	17.7	19.88	TPD4-0286-BPP0743A
fig. 19	32	40.6	15.24	17.7	19.88	TPD4-0326-BPP0743A
fig. 20	36	45.7	15.24	17.7	19.88	TPD4-0366-BPP0743A
fig. 21	40	50.8	15.24	17.7	19.88	TPD4-0406-BPP0743A
fig. 22	42	53.3	15.24	17.7	19.88	TPD4-0426-BPP0743A
fig. 23	48	60.9	15.24	17.7	19.88	TPD4-0486-BPP0743A