

# Dual-in-line sockets 2.54mm

Open frame  
Solder tail



深圳平志电子有限公司  
SHENZHEN PIZCONN ELECTRONIC CO.,LTD

TEL:86-755-84106483 61121902

FAX:86-755-61121902

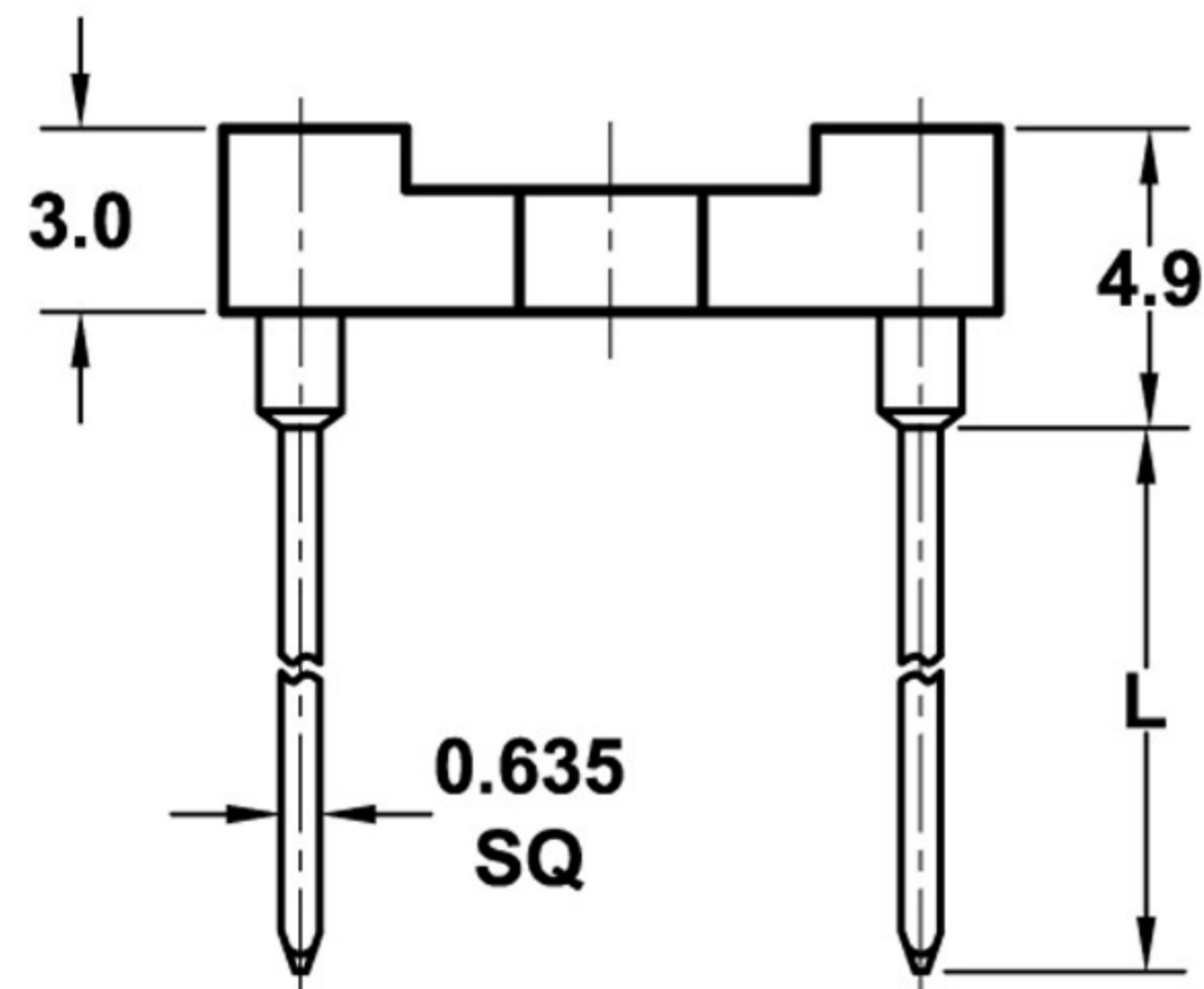
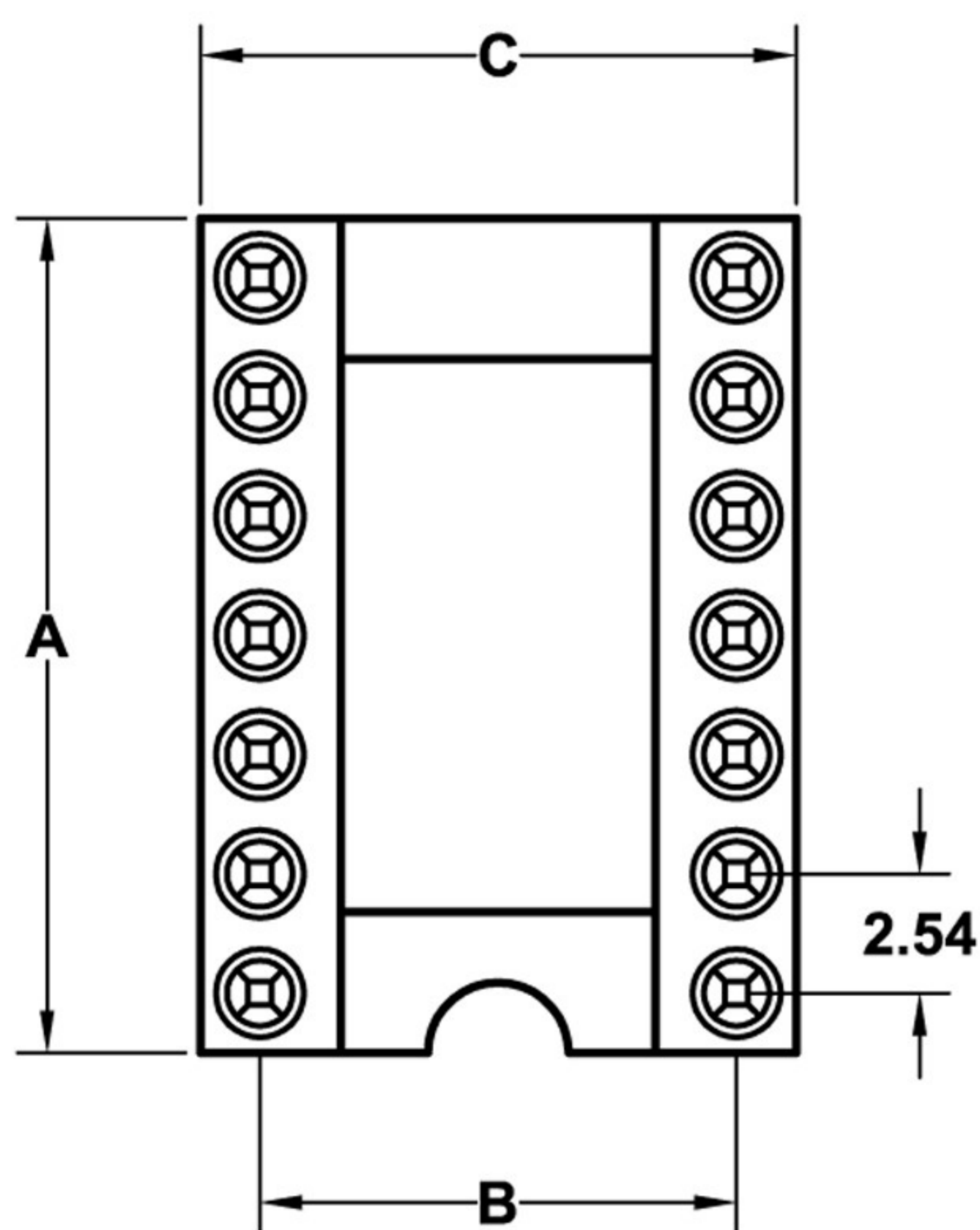
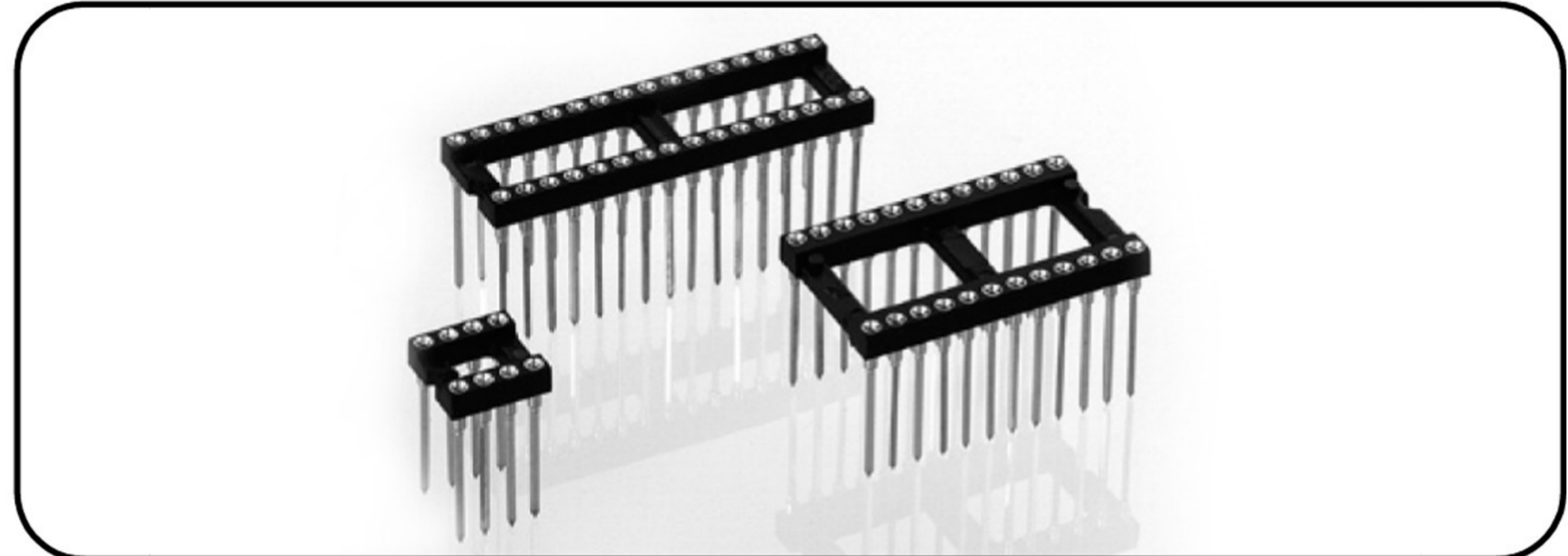
E-mail:ivan@pizconn.com.cn

## Ordering information

TPA12 - NNN X - B P P 1780B

No. of Positions	Row spacing code	Pin Plating code	Clip Plating code
	3 7.62mm	1 Tin150μ"	1 Tin150μ"
	4 10.16mm	2 Tin200μ"	2 Tin200μ"
	6 15.24mm	3 GF	3 GF
	9 22.86mm	4 Gold2μ"	4 Gold2μ"
		5 Gold3μ"	5 Gold3μ"
		6 Gold10μ"	6 Gold10μ"
		7 Gold15μ"	7 Gold15μ"
		S Special	S Special

## Series: TPA12



## Open frame standard low profile DIL Sockets

### Technical Specs:

Insulator:	Black glass filled polyester PBT-GF30-FR
Flammability:	UL 94V-O
Sleeve:	Brass CuZn 36Pb3(36000)
Contact clip (4 finger):	Beryllium copper (C17200)
Mating pin Ø:	0.40 to 0.56 mm
Forces:	(polished steel gauge Ø 0.43mm)
-Insertion	2 N typ.
-Withdrawal	1 N typ.
Mechanical life:	min 100 cycles
Rated current:	1 A
Contact resistance:	max 10 mΩ
Dielectric strength:	min 1000V <sub>RMS</sub>

code XXXX	Contact length L
1150	6.6mm
1430	9.4mm
1780	12.9mm
1220	16.0mm

fig.	No. of Positions	A	B	C	Order Codes
fig. 17	24	30.5	15.24	17.7	TPA12-0246-BPPXXXXB
fig. 18	28	35.5	15.24	17.7	TPA12-0286-BPPXXXXB
fig. 19	32	40.6	15.24	17.7	TPA12-0326-BPPXXXXB
fig. 20	36	45.7	15.24	17.7	TPA12-0366-BPPXXXXB
fig. 21	40	50.8	15.24	17.7	TPA12-0406-BPPXXXXB
fig. 22	42	53.3	15.24	17.7	TPA12-0426-BPPXXXXB
fig. 23	48	60.9	15.24	17.7	TPA12-0486-BPPXXXXB
fig. 24	50	63.5	15.24	17.7	TPA12-0506-BPPXXXXB
fig. 25	52	66.0	15.24	17.7	TPA12-0526-BPPXXXXB
fig. 26	50	63.5	22.86	25.3	TPA12-0509-BPPXXXXB
fig. 27	52	66.0	22.86	25.3	TPA12-0529-BPPXXXXB
fig. 28	64	81.2	22.86	25.3	TPA12-0649-BPPXXXXB

See page 37	No. of Positions	A	B	C	Order Codes
fig. 1	6	7.6	7.62	10.1	TPA12-0063-BPPXXXXB
fig. 2	8	10.1	7.62	10.1	TPA12-0083-BPPXXXXB
fig. 3	10	12.6	7.62	10.1	TPA12-0103-BPPXXXXB
fig. 4	12	15.2	7.62	10.1	TPA12-0123-BPPXXXXB
fig. 5	14	17.7	7.62	10.1	TPA12-0143-BPPXXXXB
fig. 6	16	20.3	7.62	10.1	TPA12-0163-BPPXXXXB
fig. 7	18	22.8	7.62	10.1	TPA12-0183-BPPXXXXB
fig. 8	20	25.3	7.62	10.1	TPA12-0203-BPPXXXXB
fig. 9	22	27.8	7.62	10.1	TPA12-0223-BPPXXXXB
fig. 10	24	30.4	7.62	10.1	TPA12-0243-BPPXXXXB
fig. 11	28	35.5	7.62	10.1	TPA12-0283-BPPXXXXB
fig. 12	20	25.4	10.16	12.6	TPA12-0204-BPPXXXXB
fig. 13	22	27.8	10.16	12.6	TPA12-0224-BPPXXXXB
fig. 14	24	30.4	10.16	12.6	TPA12-0244-BPPXXXXB
fig. 15	28	35.5	10.16	12.6	TPA12-0284-BPPXXXXB
fig. 16	32	40.6	10.16	12.6	TPA12-0324-BPPXXXXB