

4

3

2

1

Pin connectors 2.54mm

Connecting Pin $\varnothing 0.47\text{mm}$

Single row/double row

Surface mount



深圳平志电子有限公司
SHENZHEN PIZCONN ELECTRONIC CO.,LTD

TEL:86-755-84106483 61121902

FAX:86-755-61121902

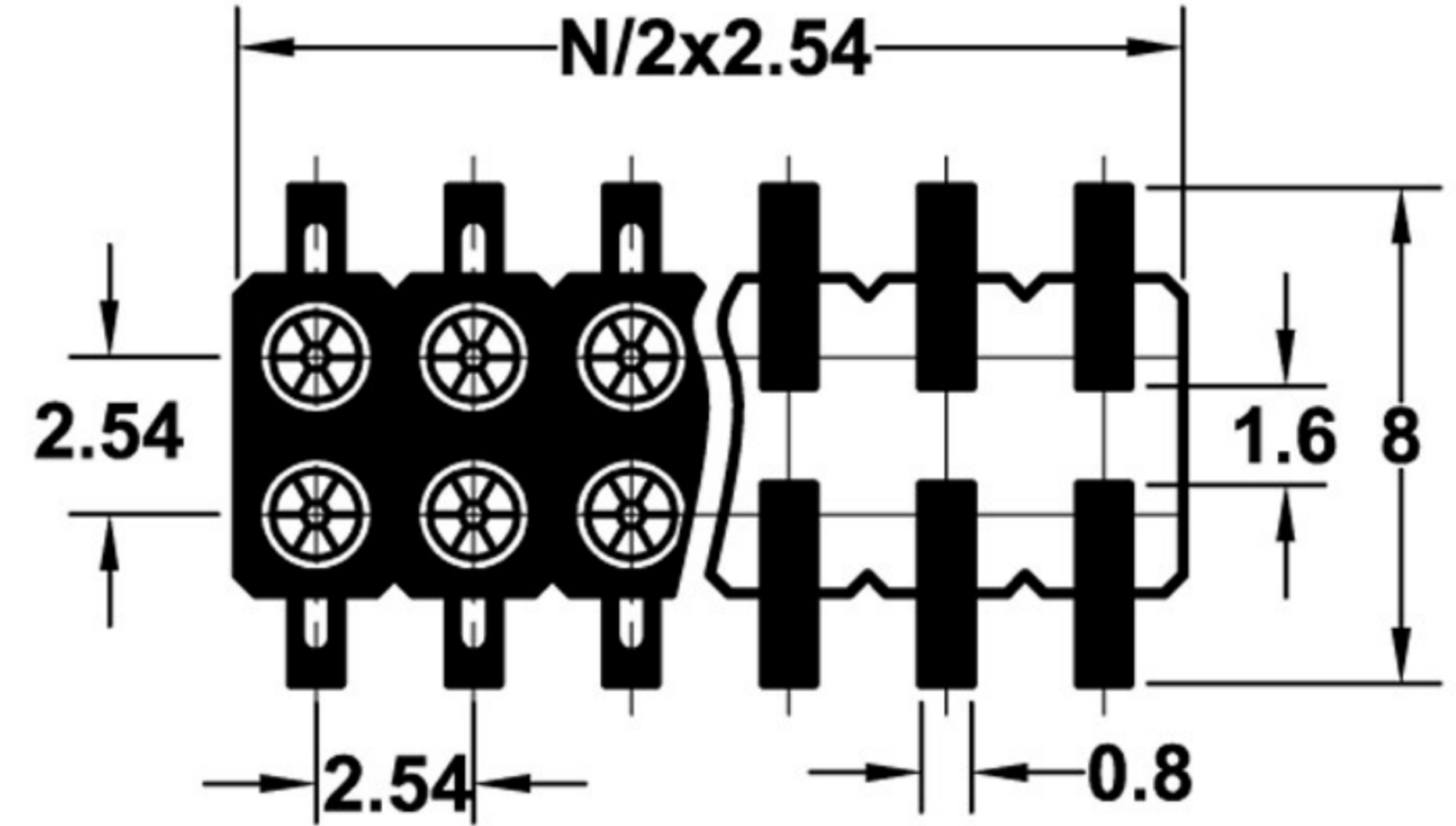
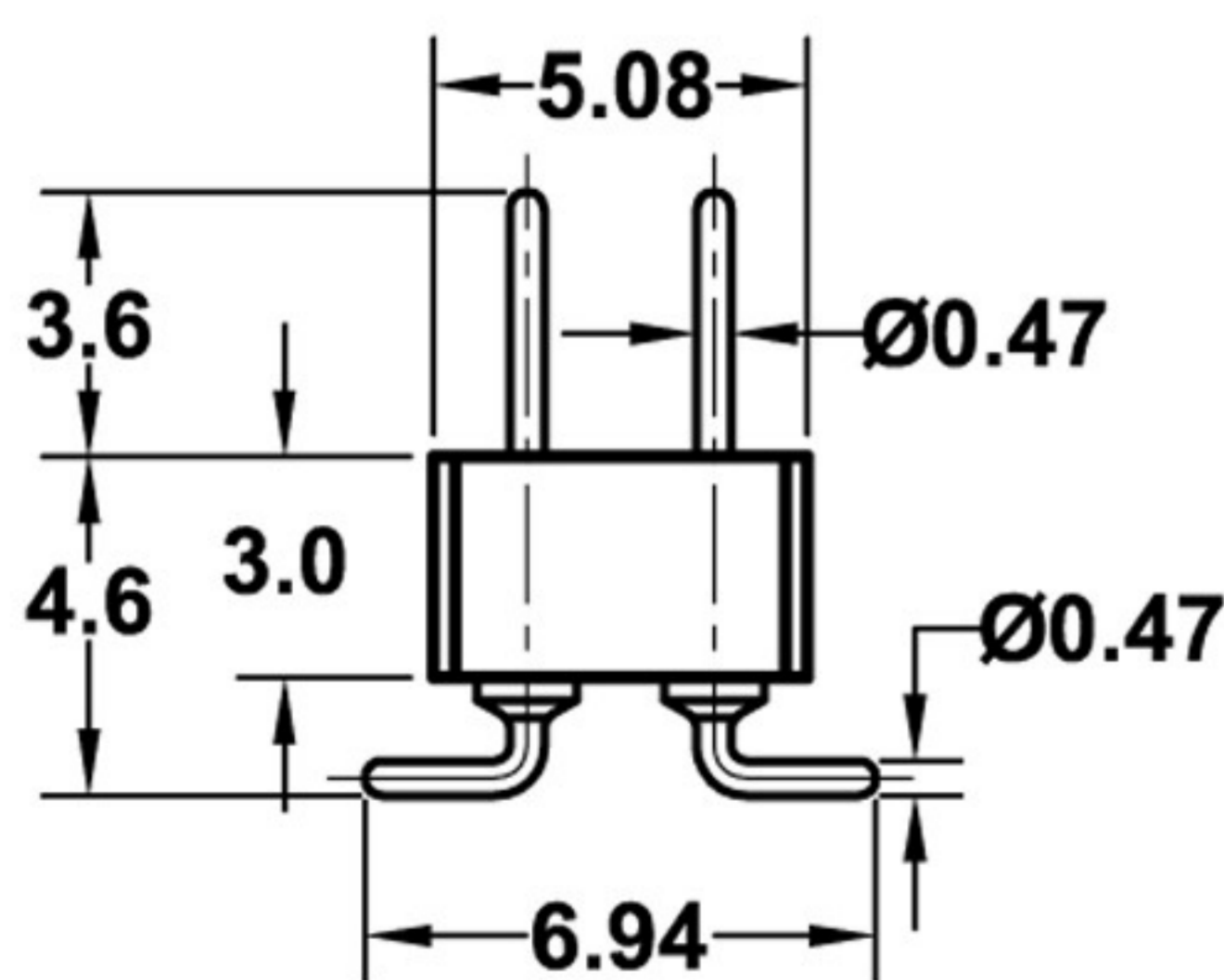
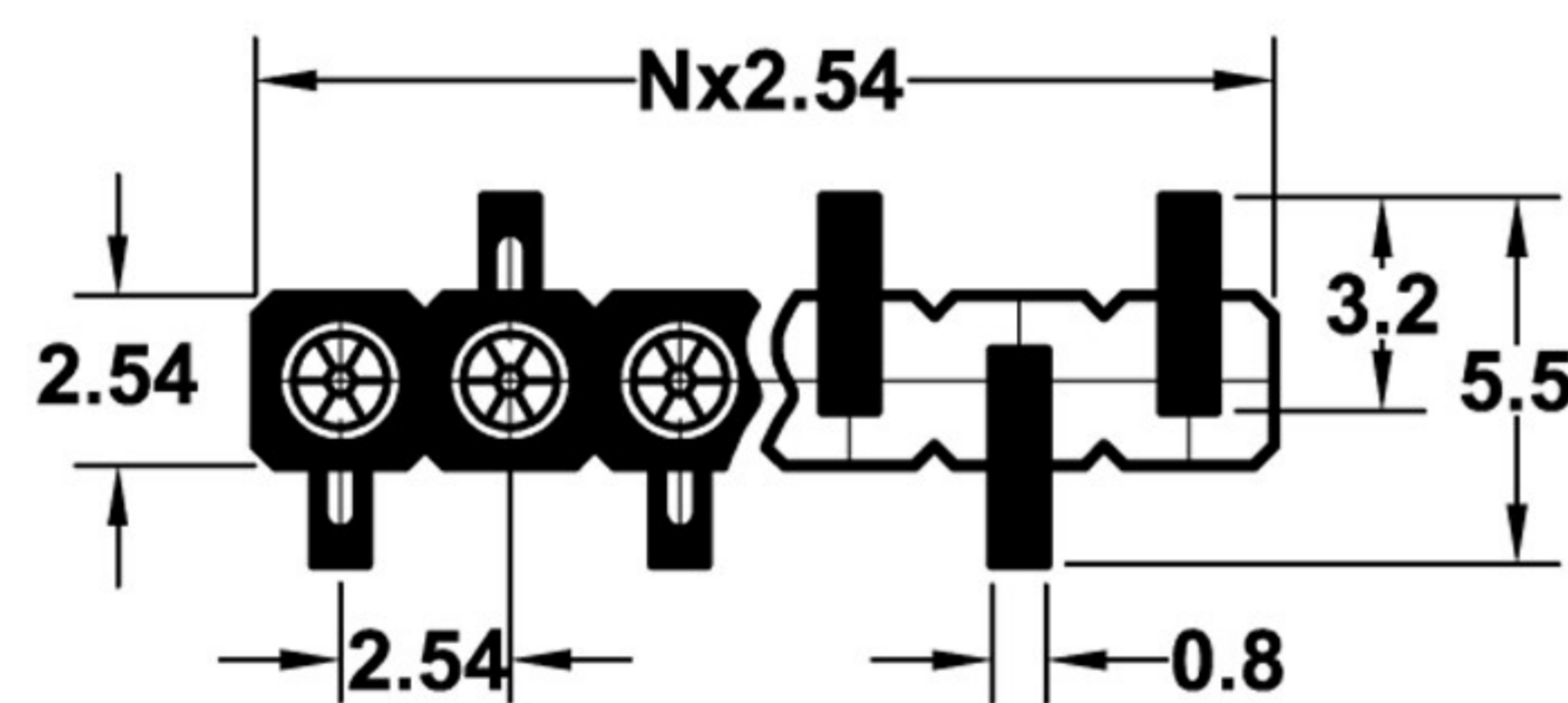
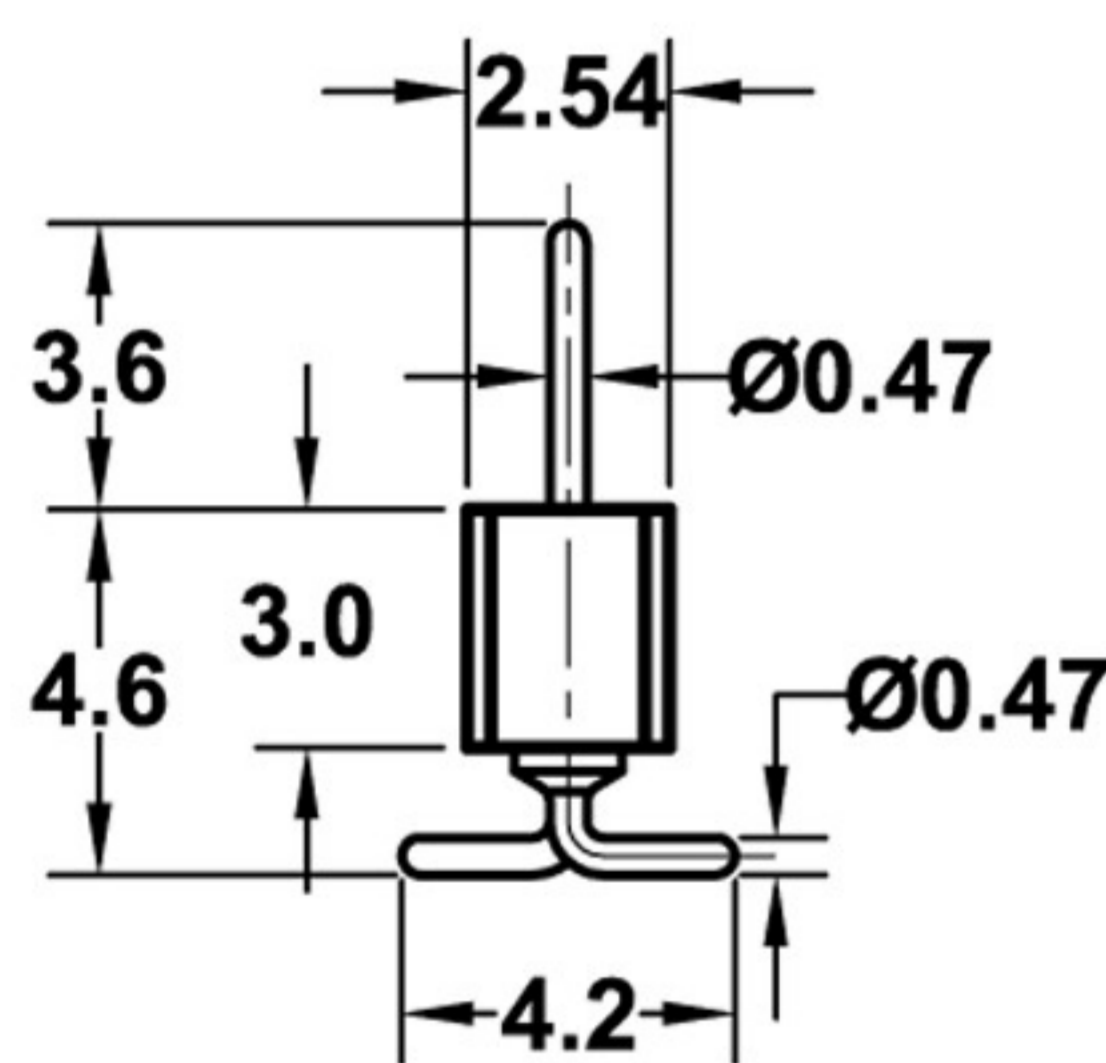
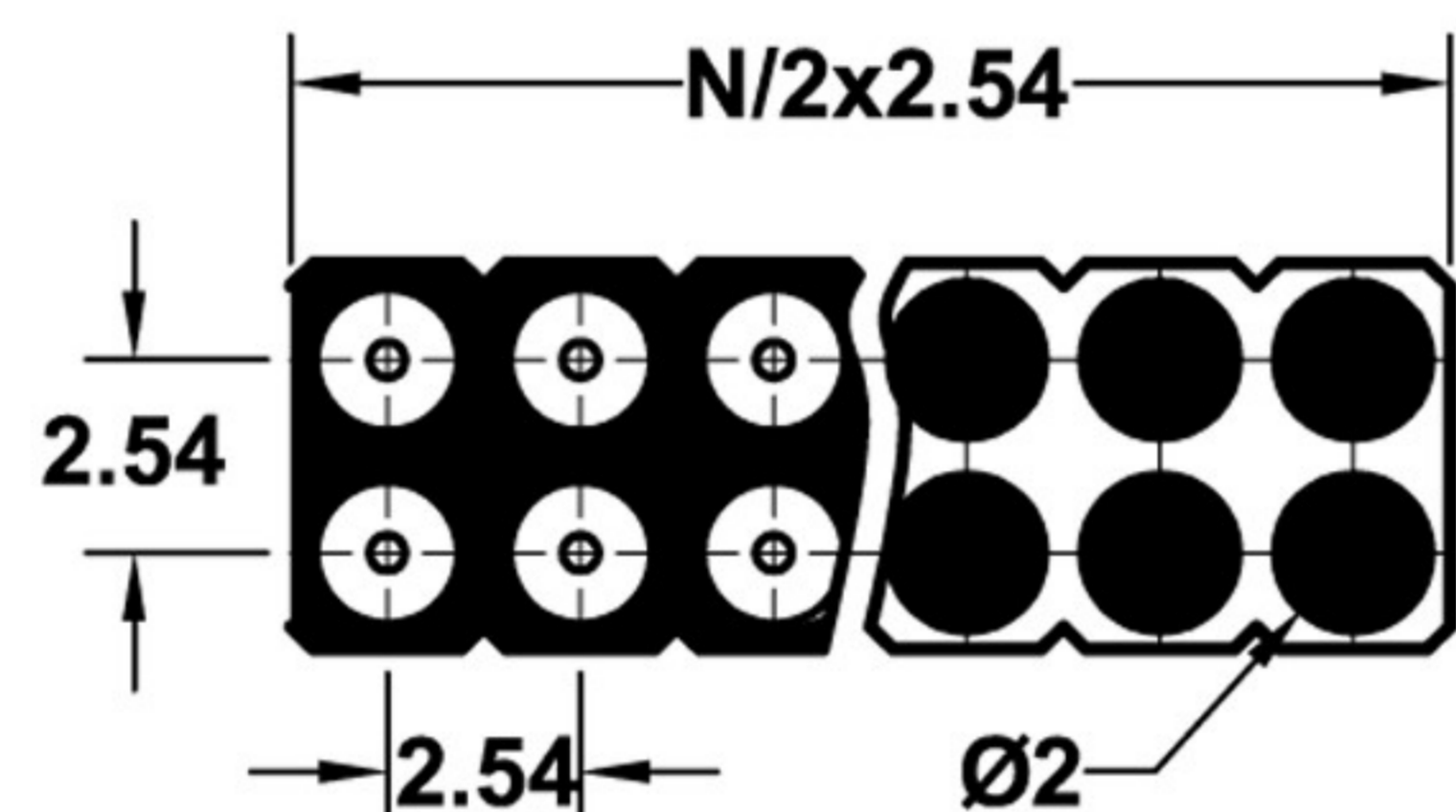
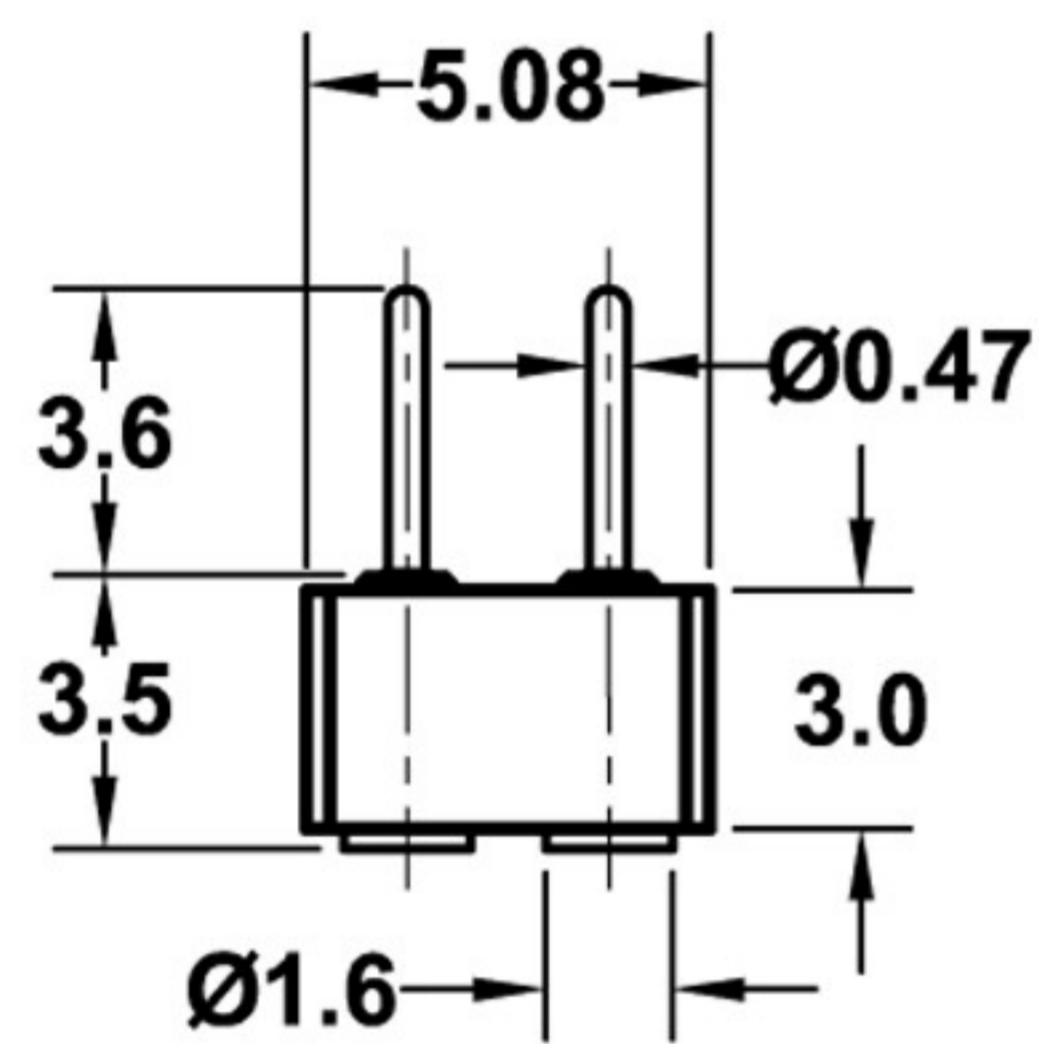
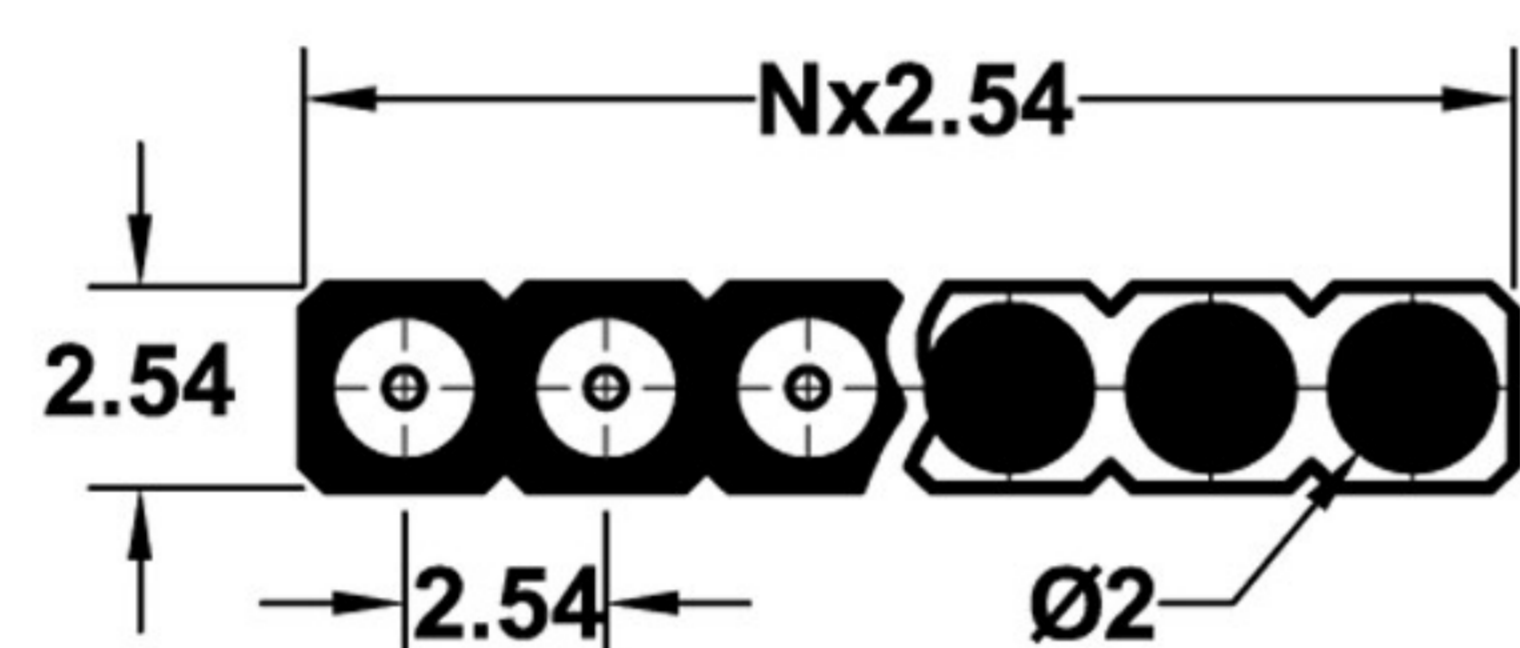
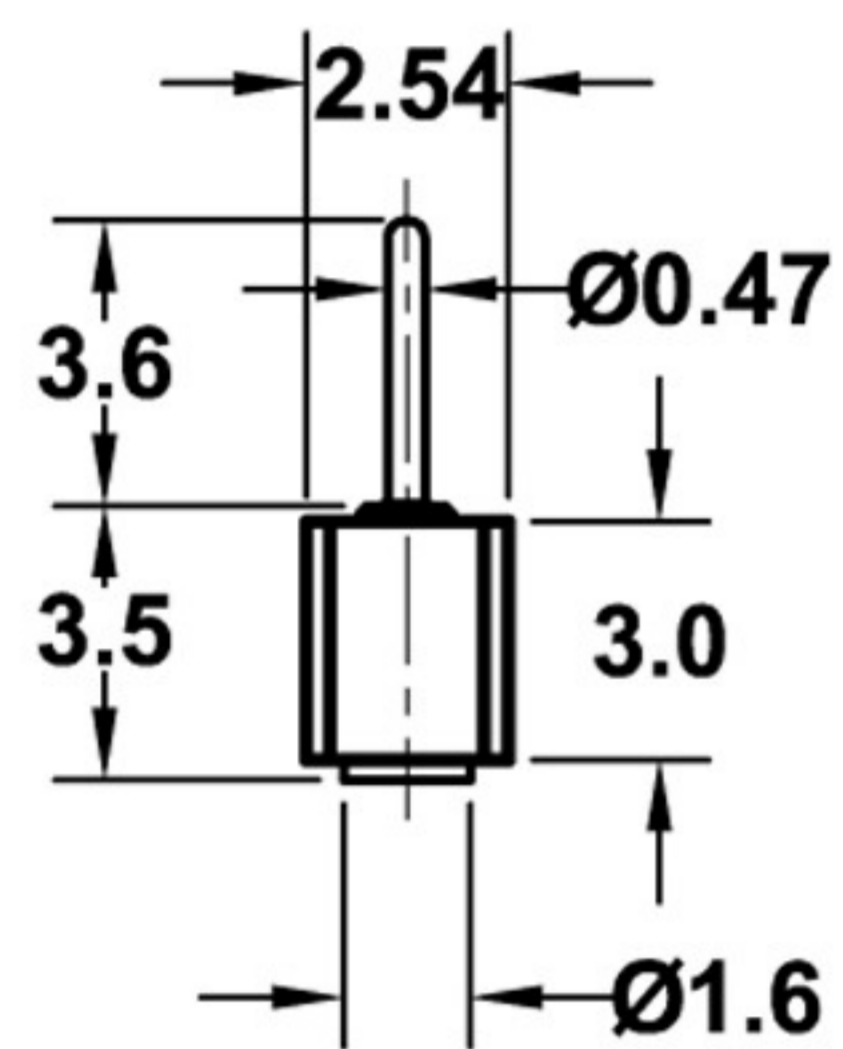
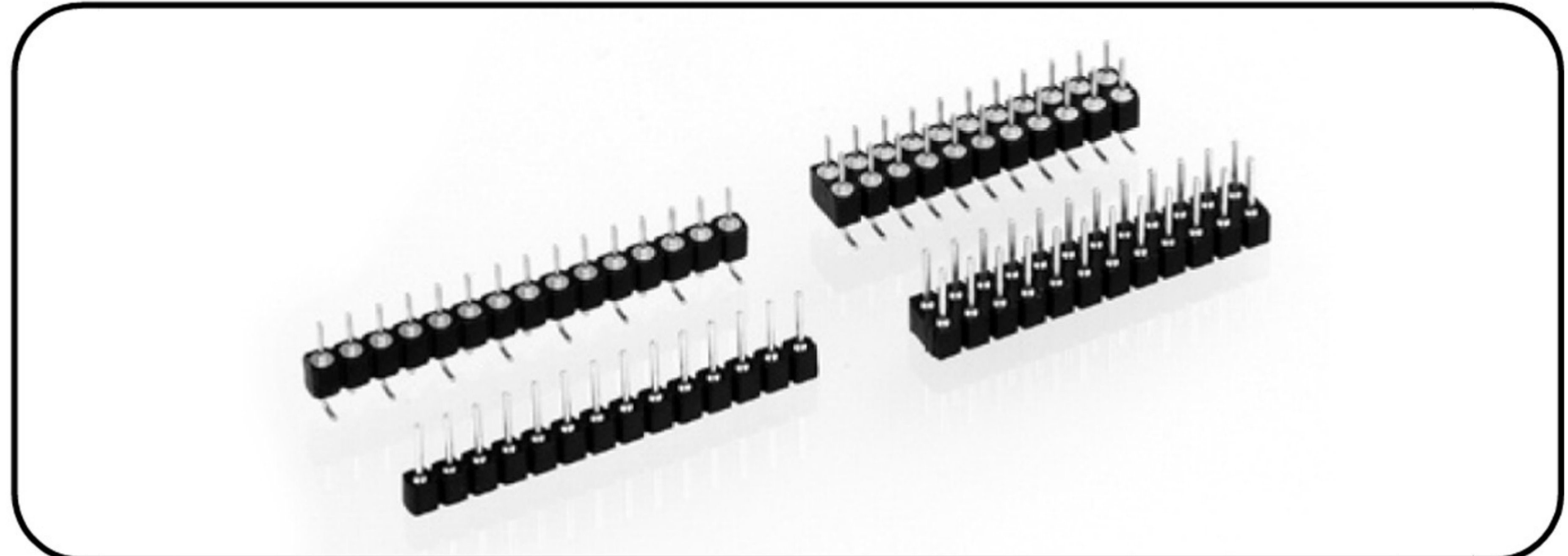
E-mail:ivan@pizconn.com.cn

Ordering information

GPD1 - NNN X - A P 0710A

No. of Positions	Insulator Type code	Pin Plating code
	1 Single row	1 Tin150 μ "
	2 Double row	2 Tin200 μ "
		3 GF
		4 Gold2 μ "
		5 Gold3 μ "
		6 Gold10 μ "
		7 Gold15 μ "
		S Special

Series: GPD1



Pin connectors SMD perpendicular mount

Technical Specs:

Insulator:	Black glass filled polyester PPS-GF30-FR
Flammability:	UL 94V-O
Sleeve:	Brass CuZn 36pb3(36000)
Mating pin \varnothing :	0.47 mm
Mechanical life:	min 500 cycles
Rated current:	3 A
Contact resistance:	max 10 m Ω
Dielectric strength:	min 1000V _{RMS}
Coplanarity SMD terminations:	max 0.1mm(measured on 25 mm long connectors)

4

3

2

1