

Pin connectors 2.54mm

Connecting Pin $\varnothing 0.47\text{mm}$

Single row/double row

Solder tail



深圳平志电子有限公司
SHENZHEN PIZCONN ELECTRONIC CO.,LTD

TEL:86-755-84106483 61121902

FAX:86-755-61121902

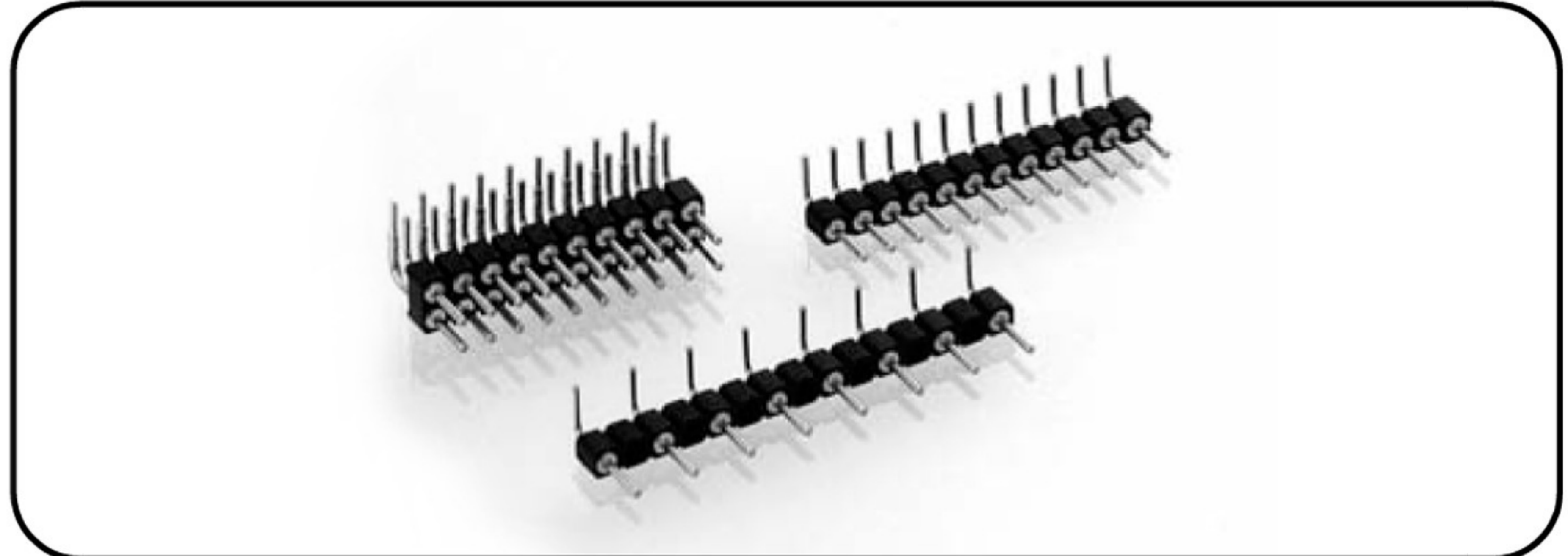
E-mail:ivan@pizconn.com.cn

Ordering information

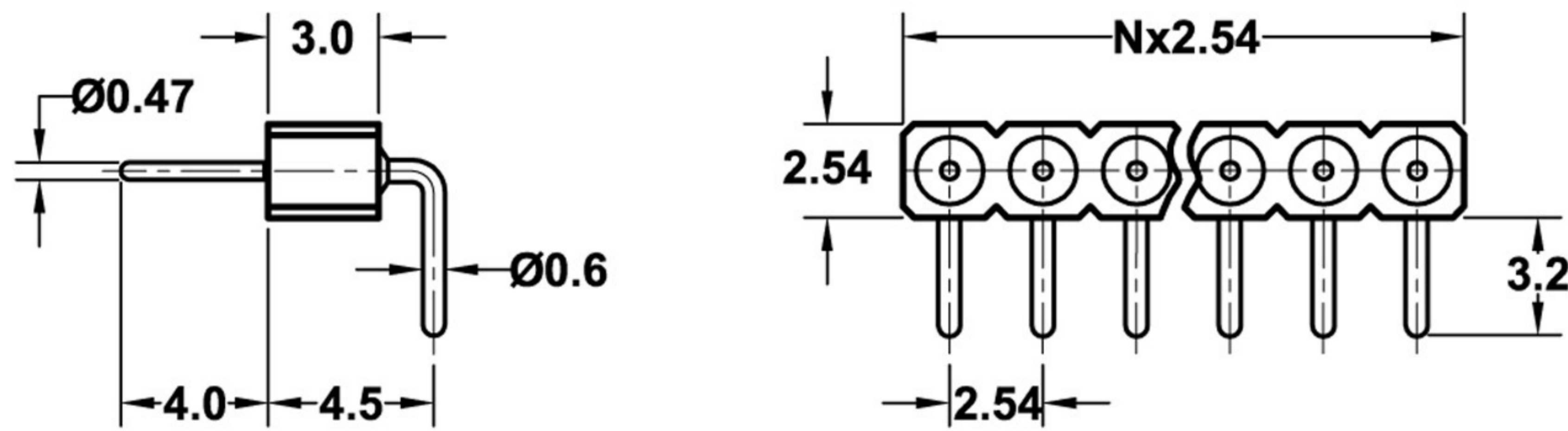
GPB1 - NNN X - A P 1275A

No. of Positions	Insulator Type code	Pin Plating code
	1 Single row	1 Tin150 μ "
	2 Double row	2 Tin200 μ "
		3 GF
		4 Gold2 μ "
		5 Gold3 μ "
		6 Gold10 μ "
		7 Gold15 μ "
		S Special

Series: GPB1



Right angle Pin connectors, Solder tail



Technical Specs:

Insulator:	Black glass filled polyester PPS-GF30-FR
Flammability:	UL 94V-O
Sleeve:	Brass CuZn 36pb3(36000)
Mating pin \varnothing :	0.47 mm
Mechanical life:	min 500 cycles
Rated current:	3 A
Contact resistance:	max 10 m Ω
Dielectric strength:	min 1000V _{RMS}

