

# Socket connectors 2.54mm

Mating Pin  $\varnothing 0.76\text{mm}$  or 0.64 SQ

Single row/double row

Solder tail



深圳平志电子有限公司  
SHENZHEN PIZCONN ELECTRONIC CO.,LTD

TEL:86-755-84106483 61121902

FAX:86-755-61121902

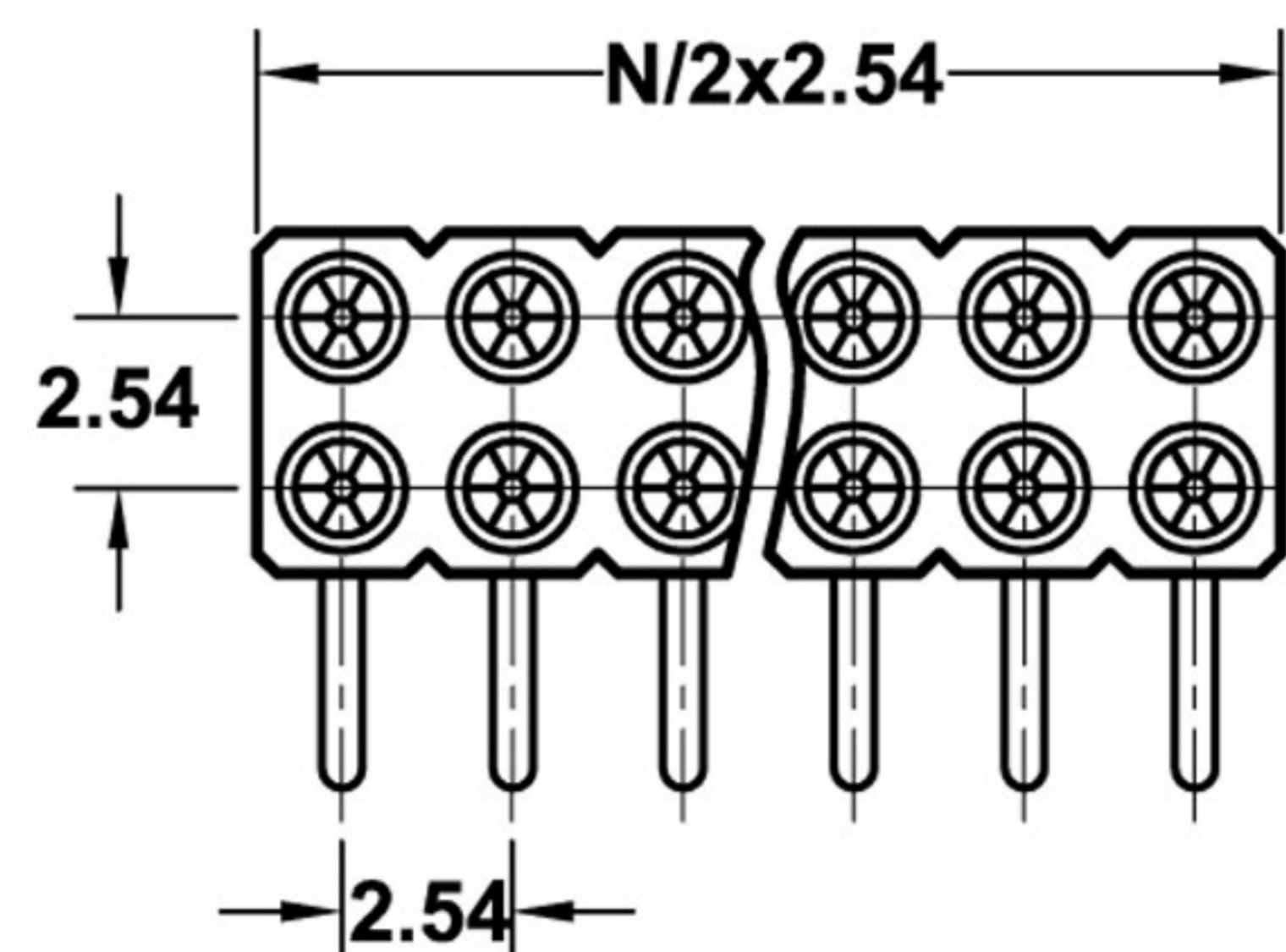
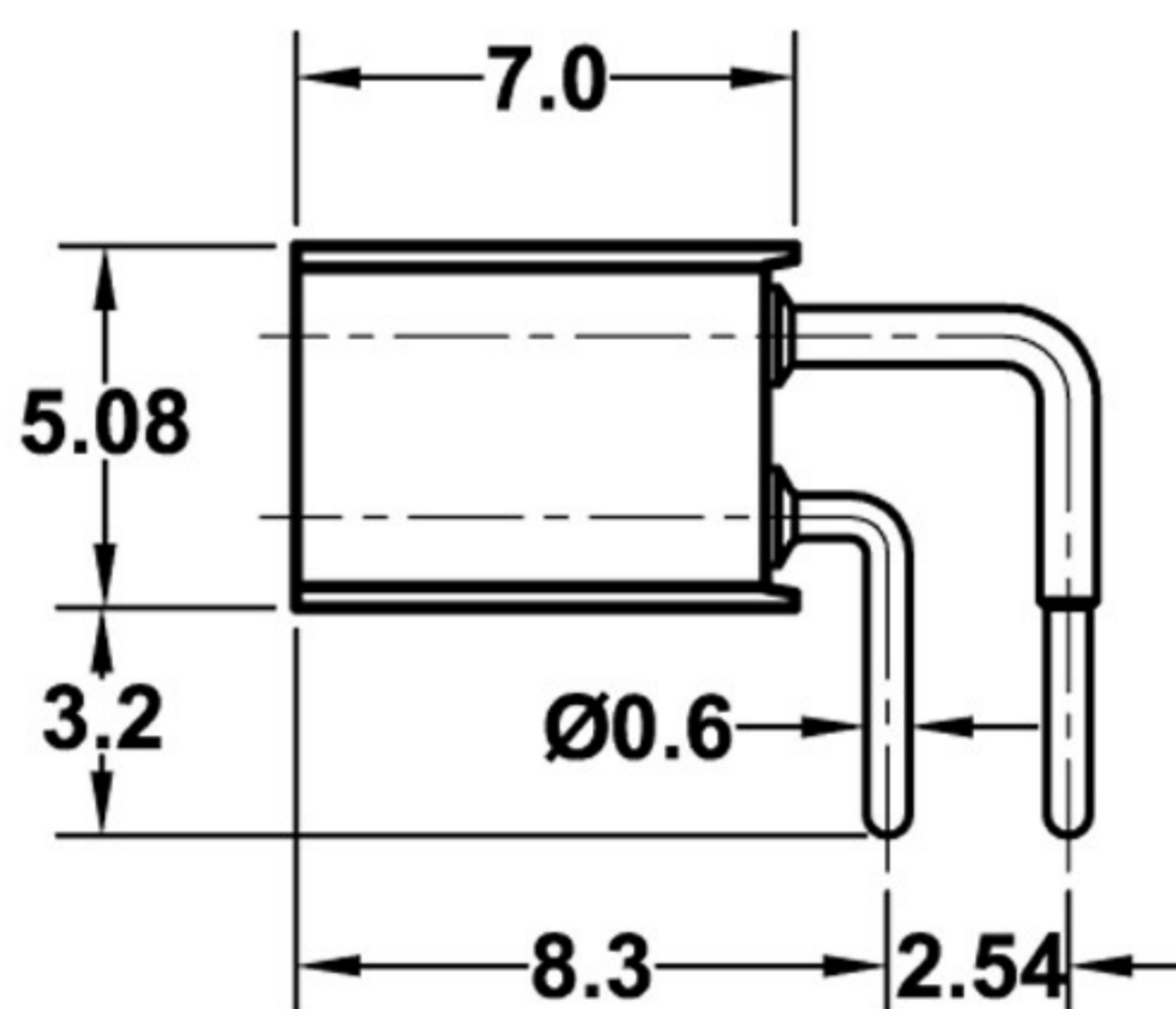
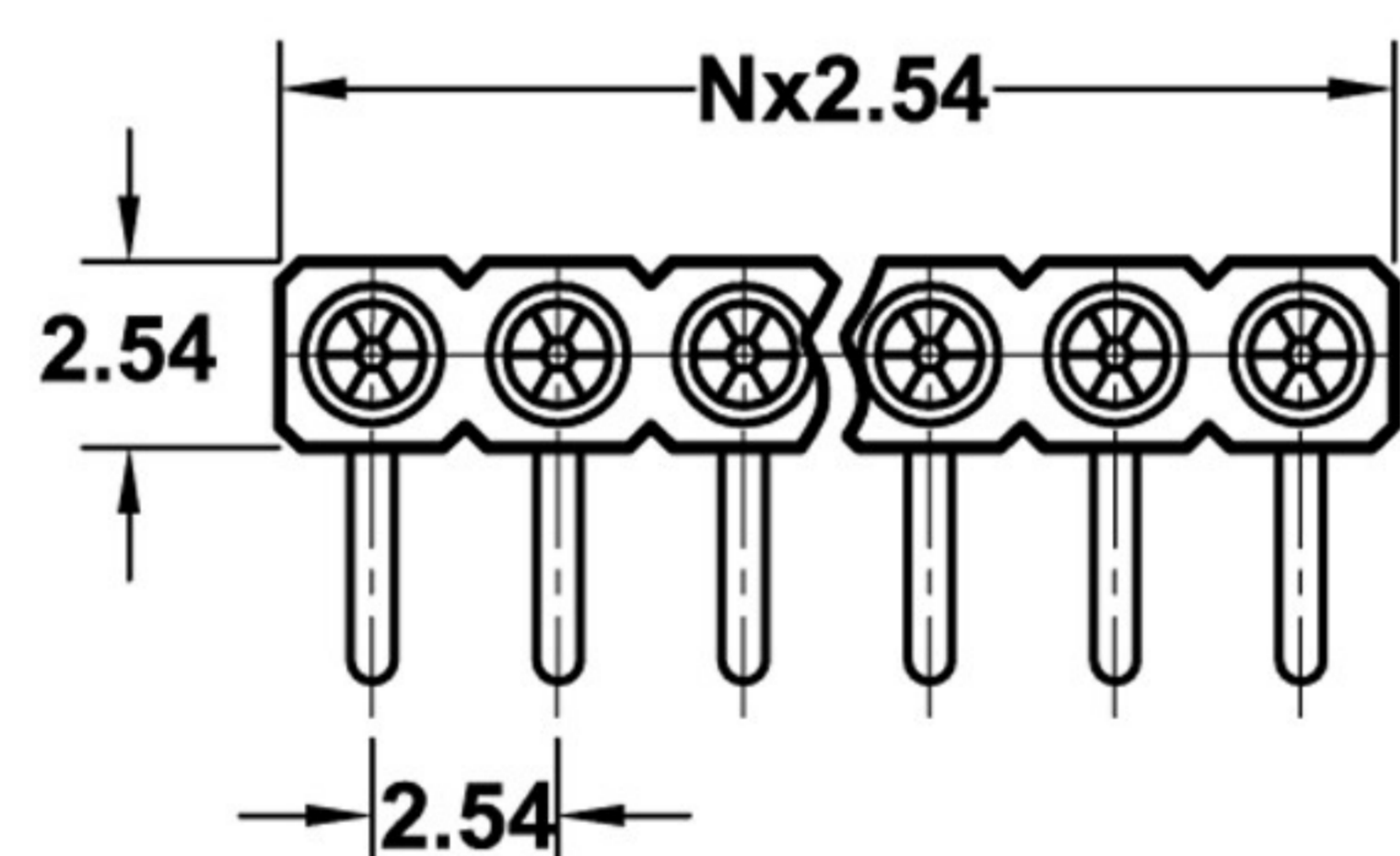
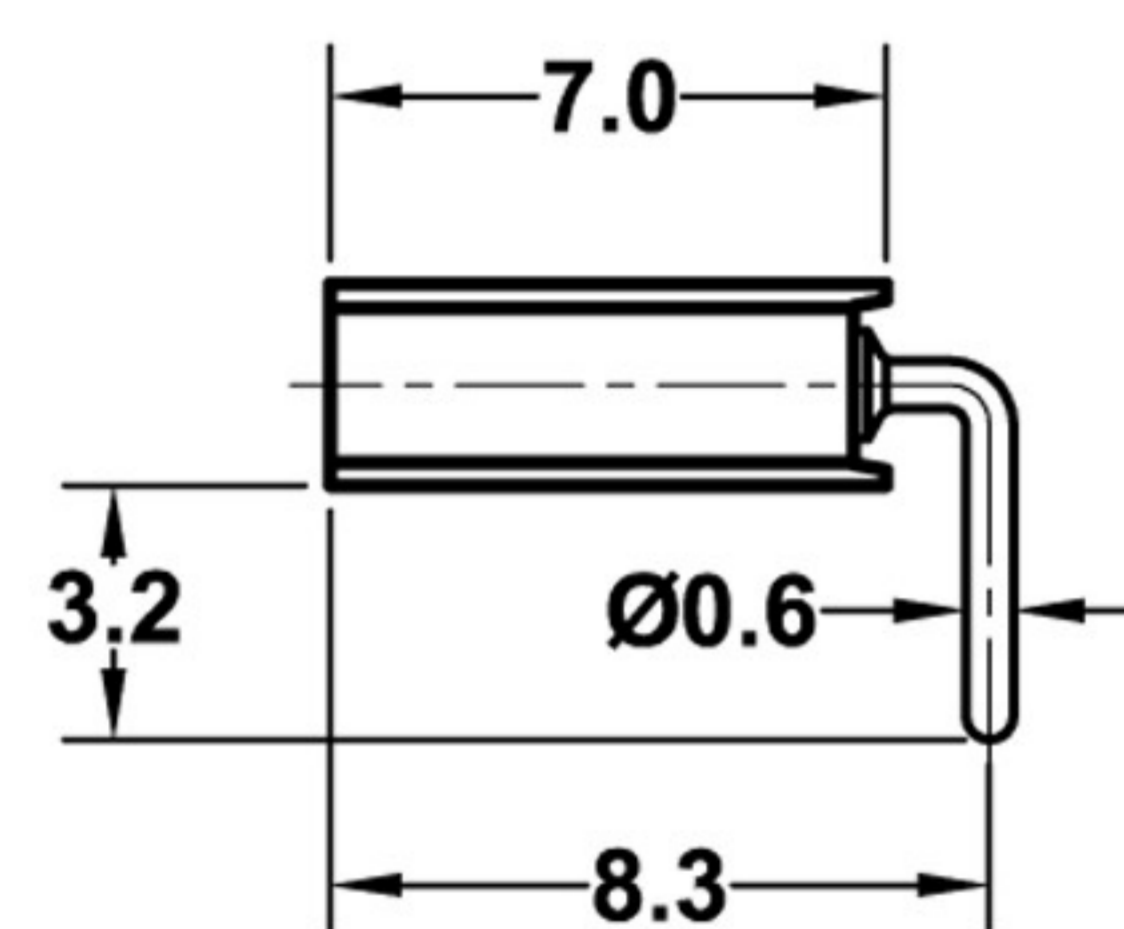
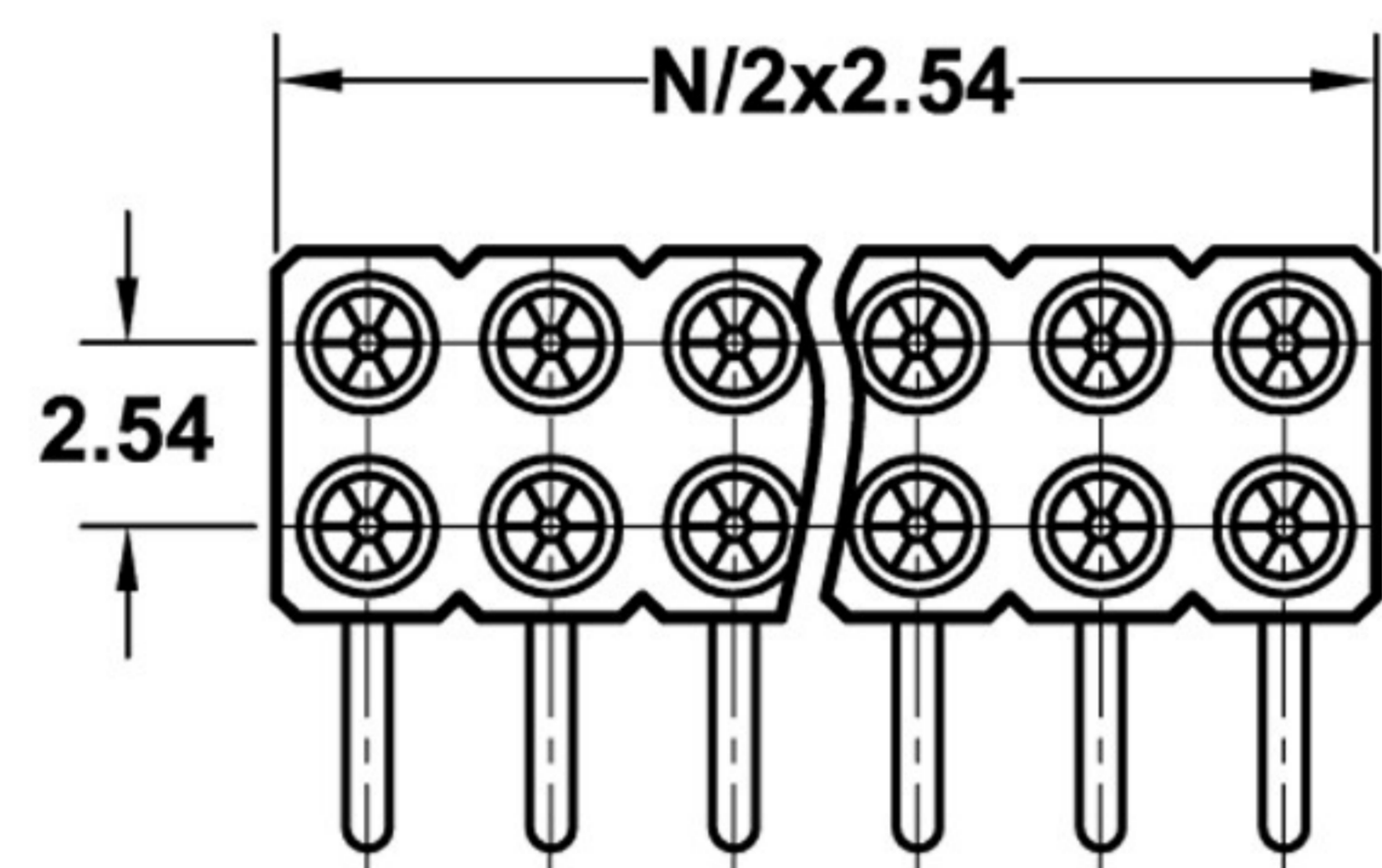
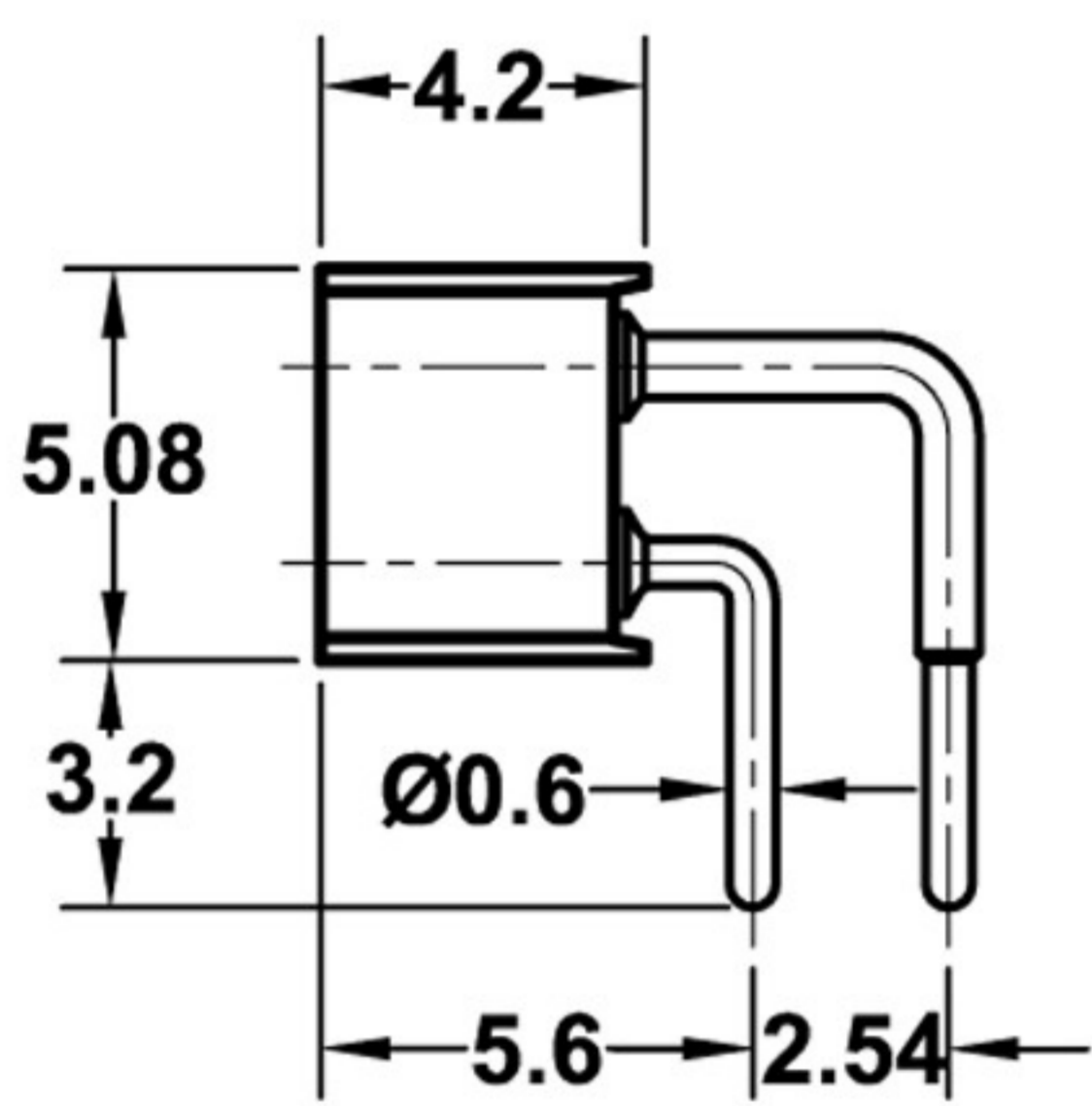
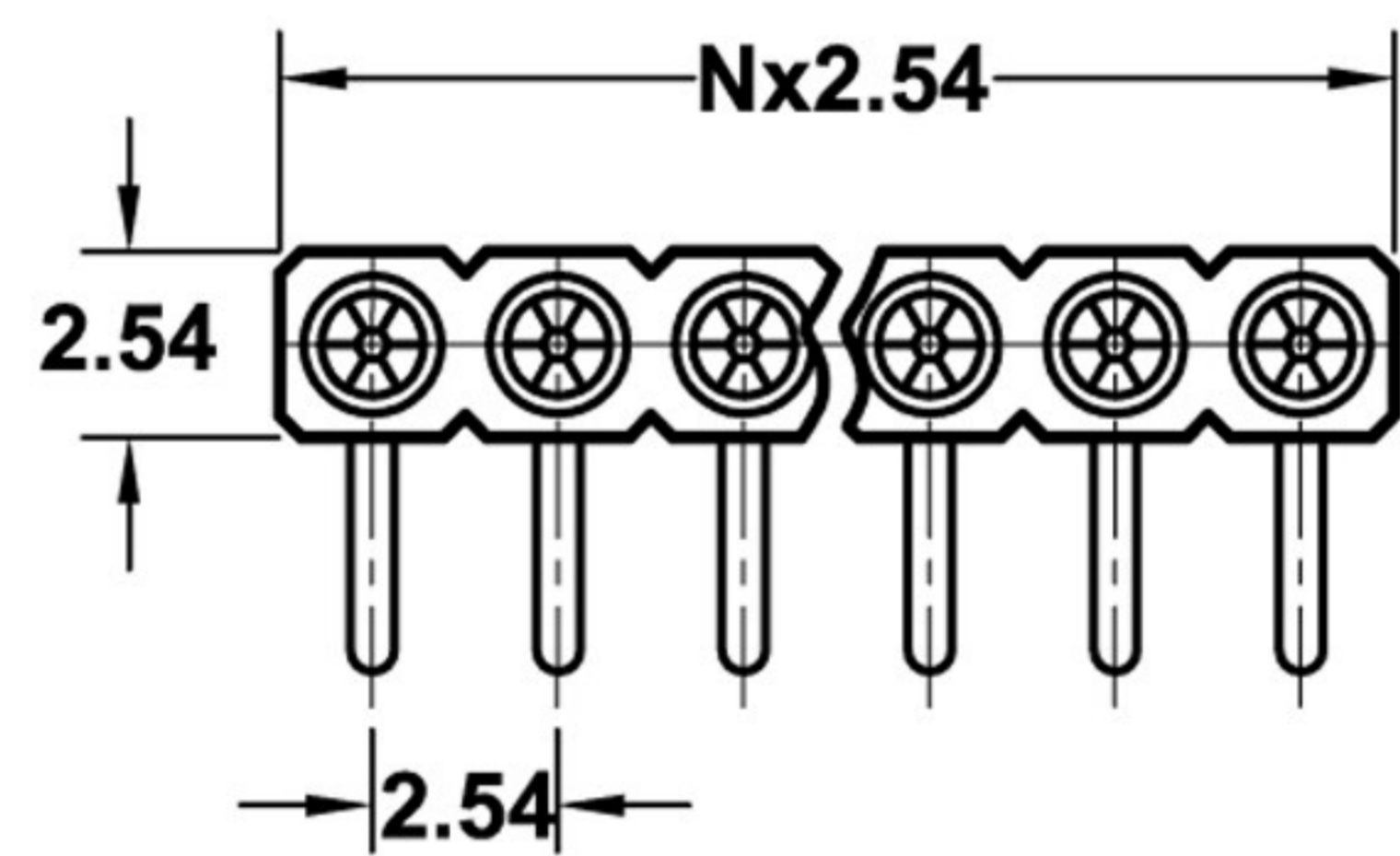
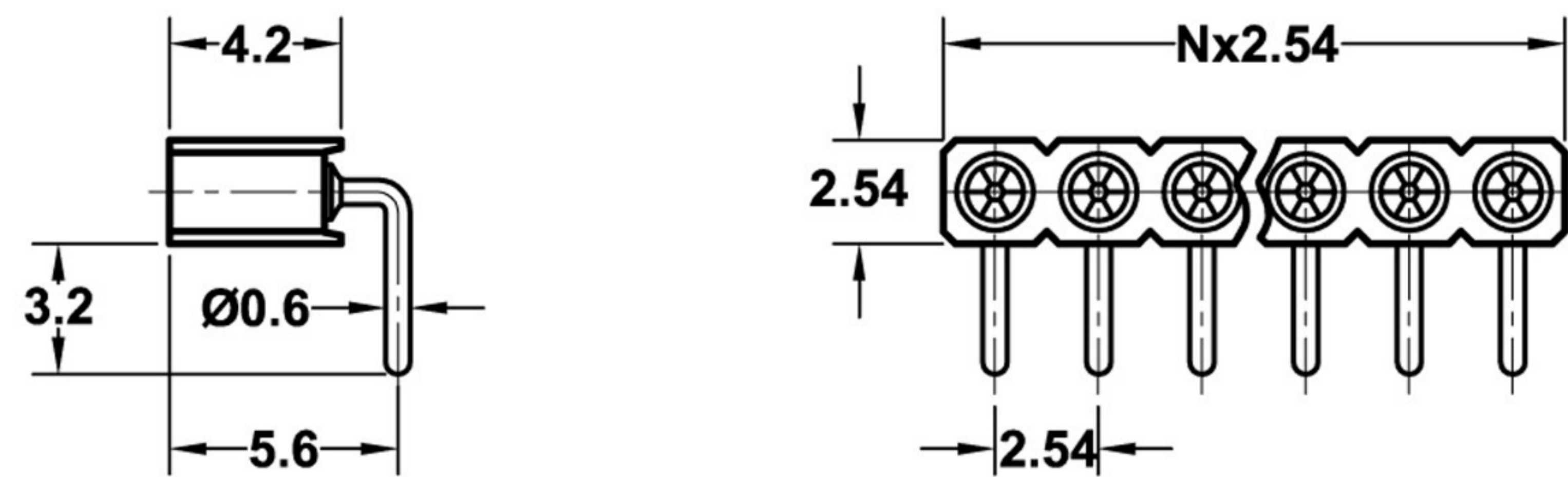
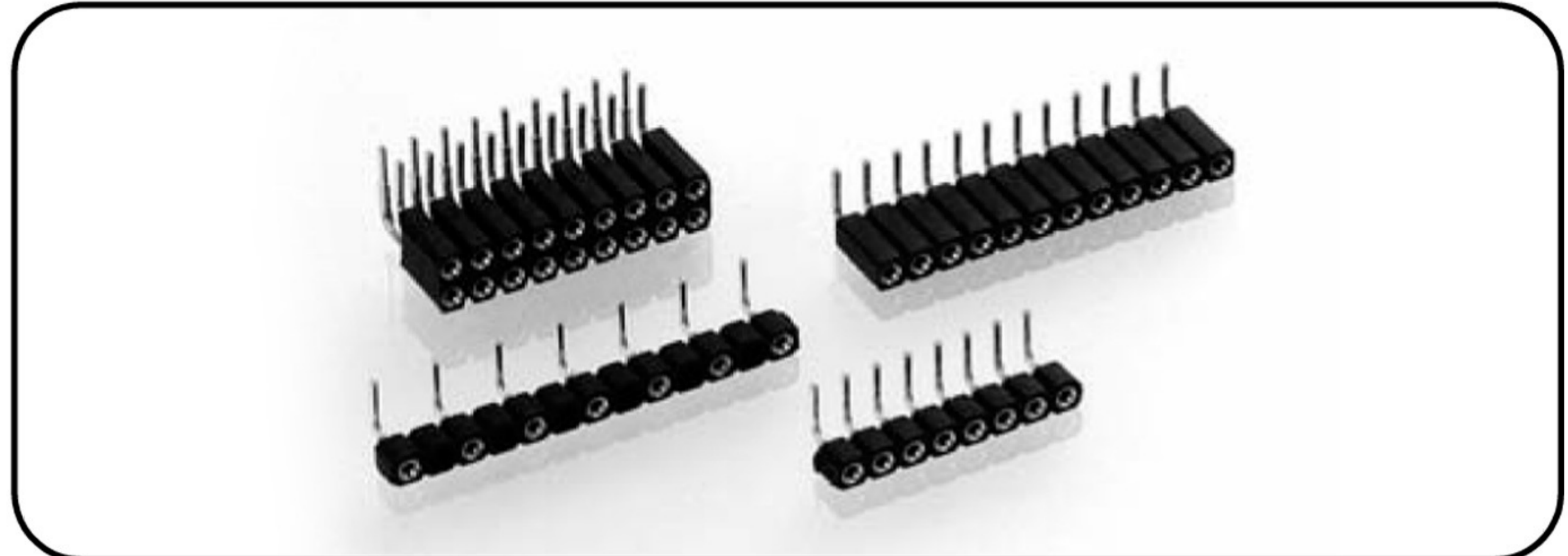
E-mail:ivan@pizconn.com.cn

## Ordering information

TPB2 - NNN X - B P P 0980A

No. of Positions	Insulator Type code	Pin Plating code	Clip Plating code
	1 Single row	1 Tin150 $\mu$ "	1 Tin150 $\mu$ "
	2 Double row	2 Tin200 $\mu$ "	2 Tin200 $\mu$ "
		3 GF	3 GF
		4 Gold2 $\mu$ "	4 Gold2 $\mu$ "
		5 Gold3 $\mu$ "	5 Gold3 $\mu$ "
		6 Gold10 $\mu$ "	6 Gold10 $\mu$ "
		7 Gold15 $\mu$ "	7 Gold15 $\mu$ "
		S Special	S Special

## Series: TPB2



### Right angle Socket connectors, Solder tail

#### Technical Specs:

Insulator:	Black glass filled polyester PPS-GF30-FR
Flammability:	UL 94V-O
Sleeve:	Brass CuZn 36pb3(36000)
Contact clip (6 finger):	Beryllium copper (C17200)
Mating pin $\varnothing$ :	0.7 to 0.9 mm or 0.635SQ
Forces:	(polished steel gauge $\varnothing 0.76\text{mm}$ )
-Insertion	1.2 N typ.
-Withdrawal	0.6 N typ.
Mechanical life:	min 500 cycles
Rated current:	3 A
Contact resistance:	max 10 m $\Omega$
Dielectric strength:	min 1000V <sub>RMS</sub>