

Socket connectors 2.54mm

Mating Pin Ø0.76mm or 0.64 SQ

Single row/double row

Solder tail



深圳平志电子有限公司
SHENZHEN PIZCONN ELECTRONIC CO.,LTD

TEL:86-755-84106483 61121902

FAX:86-755-61121902

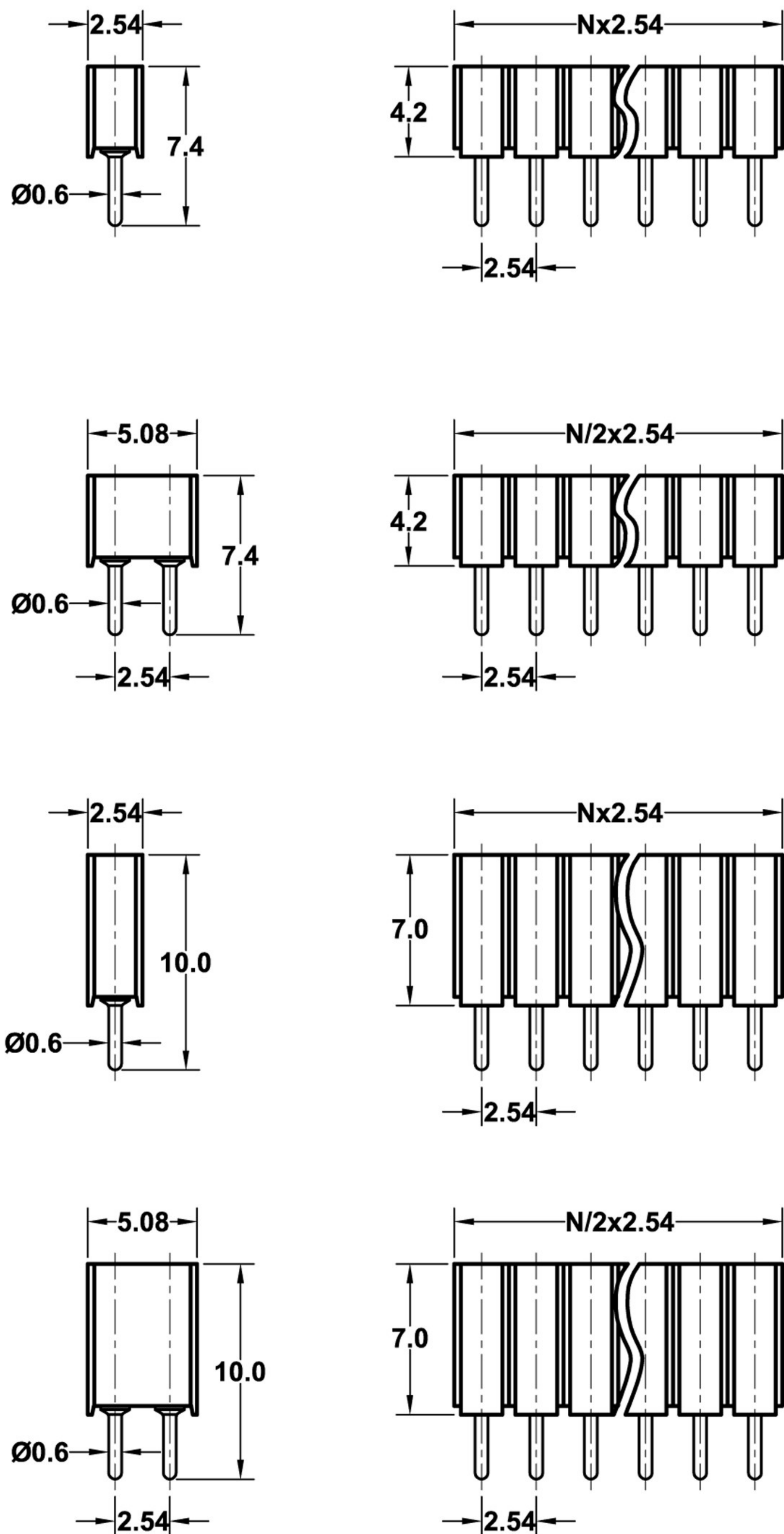
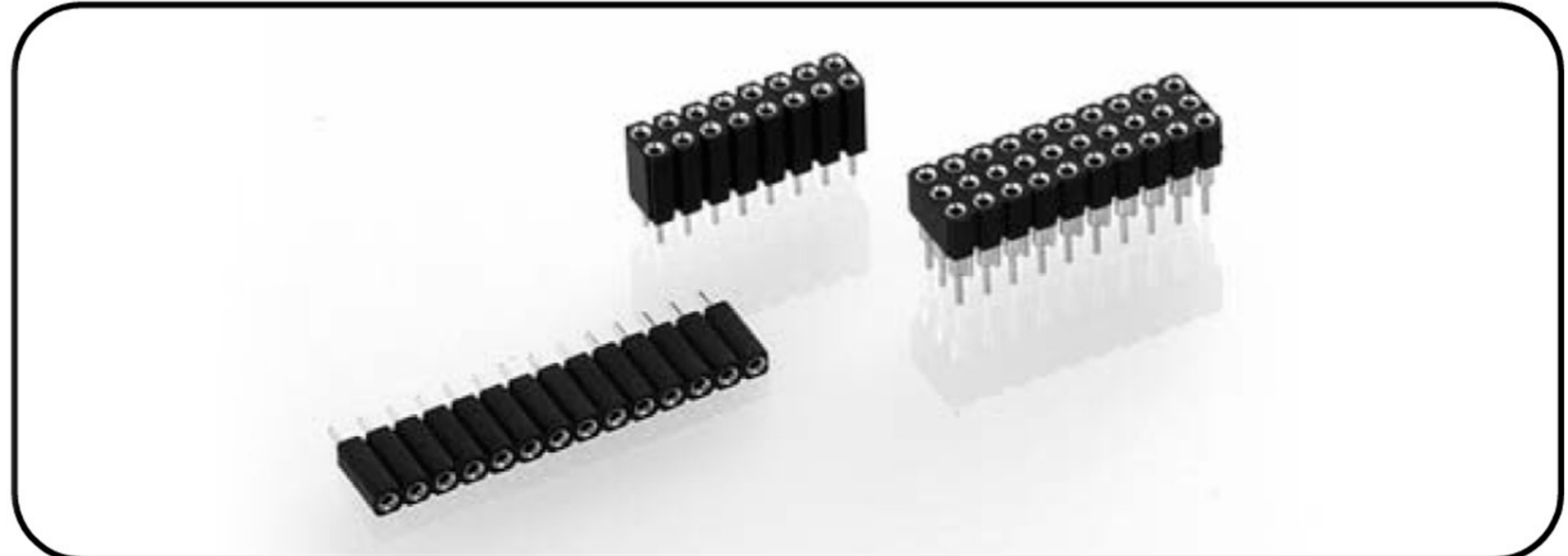
E-mail:ivan@pizconn.com.cn

Ordering information

TPA6 - NNN X - C P P 0740A

| No. of Positions | Insulator Type code | Pin Plating code | Clip Plating code |
|------------------|---------------------|------------------|-------------------|
| | 1 Single row | 1 Tin150μ" | 1 Tin150μ" |
| | 2 Double row | 2 Tin200μ" | 2 Tin200μ" |
| | | 3 GF | 3 GF |
| | | 4 Gold2μ" | 4 Gold2μ" |
| | | 5 Gold3μ" | 5 Gold3μ" |
| | | 6 Gold10μ" | 6 Gold10μ" |
| | | 7 Gold15μ" | 7 Gold15μ" |
| | | S Special | S Special |

Series: TPA6



Socket connectors strips, Solder tail

Technical Specs:

| | |
|--------------------------|--|
| Insulator: | Black glass filled polyester PPS-GF30-FR |
| Flammability: | UL 94V-O |
| Sleeve: | Brass CuZn 36pb3(36000) |
| Contact clip (6 finger): | Beryllium copper (C17200) |
| Mating pin Ø: | 0.7 to 0.9 mm or 0.635SQ |
| Forces: | (polished steel gauge Ø 0.76mm) |
| -Insertion | 1.2 N typ. |
| -Withdrawal | 0.6 N typ. |
| Mechanical life: | min 500 cycles |
| Rated current: | 3 A |
| Contact resistance: | max 10 mΩ |
| Dielectric strength: | min 1000V _{RMS} |