

Socket connectors 2.54mm

Mating Pin $\varnothing 0.47\text{mm}$
 Single row/double row
 Solder tail



深圳平志电子有限公司
 SHENZHEN PIZCONN ELECTRONIC CO.,LTD

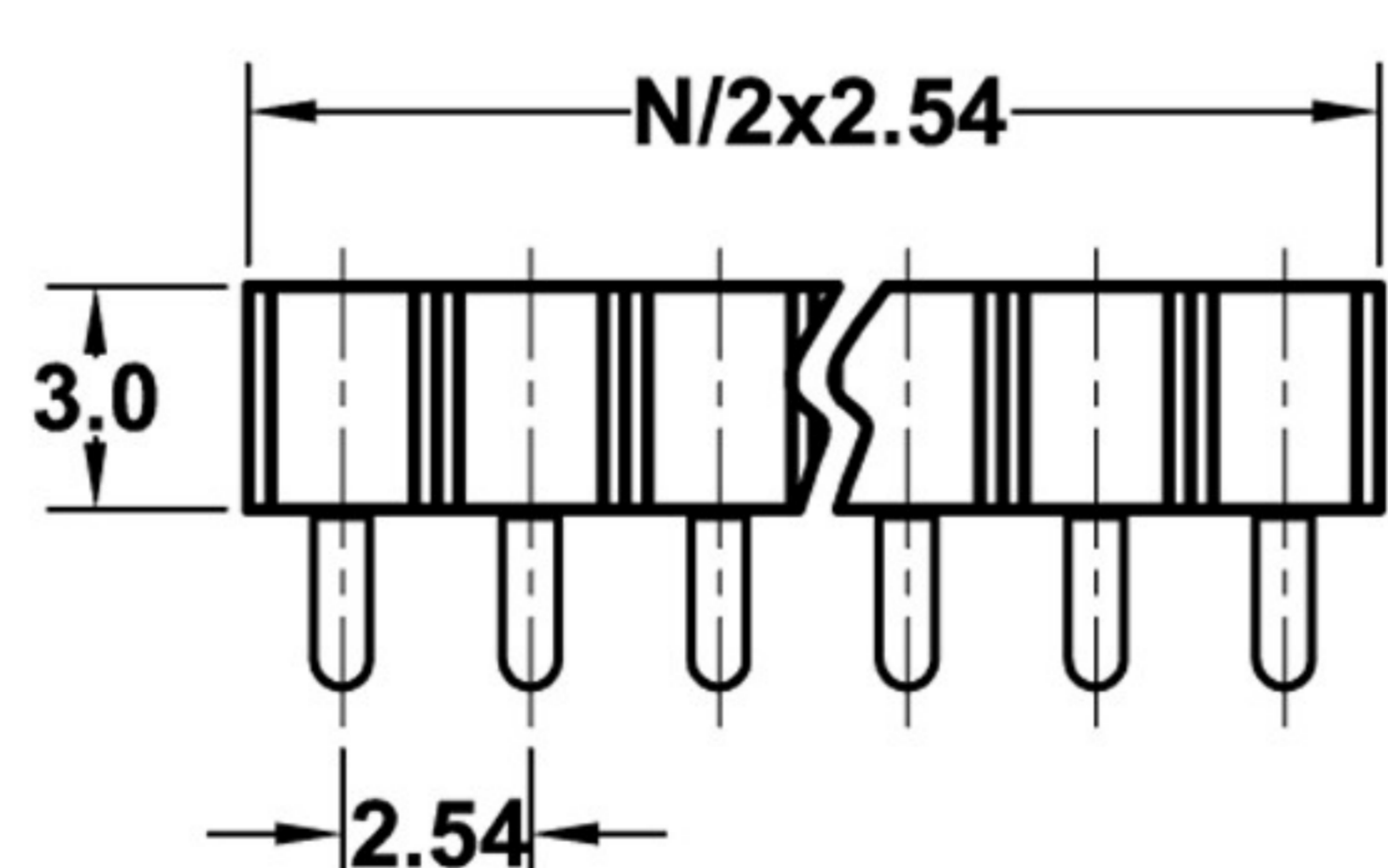
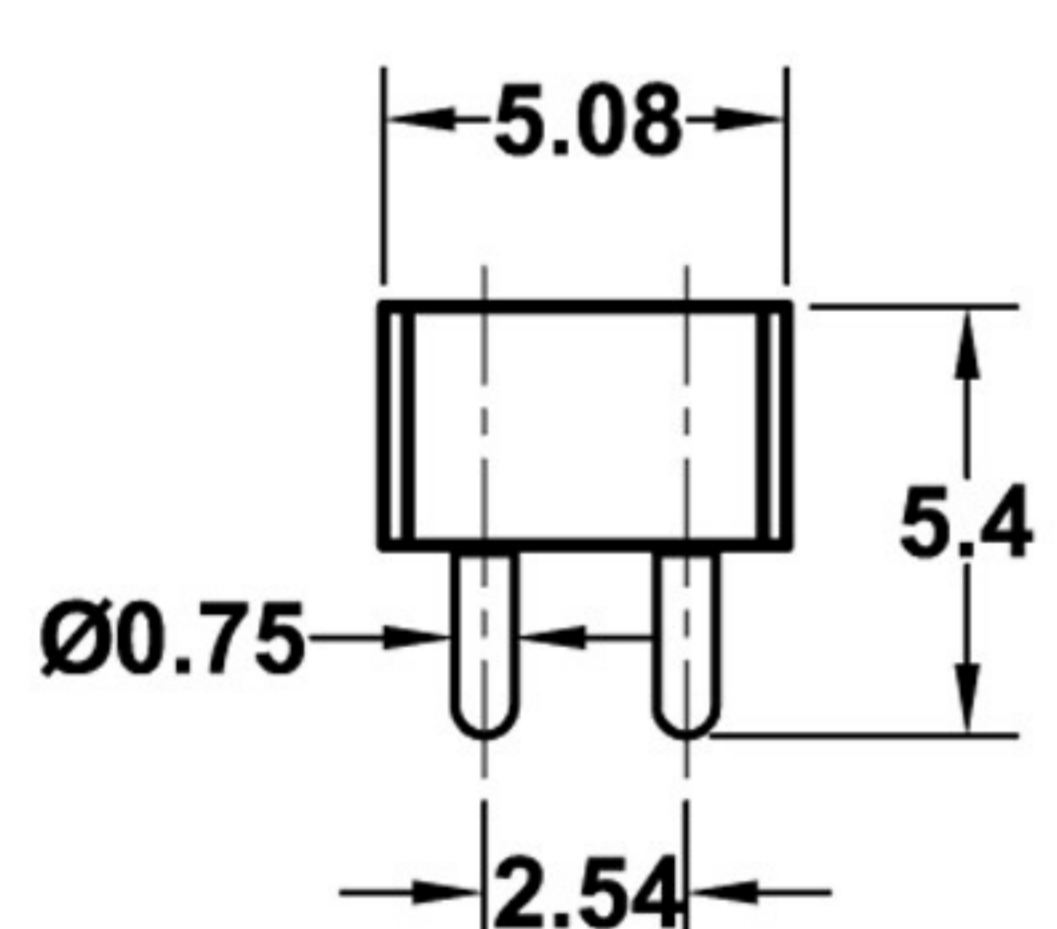
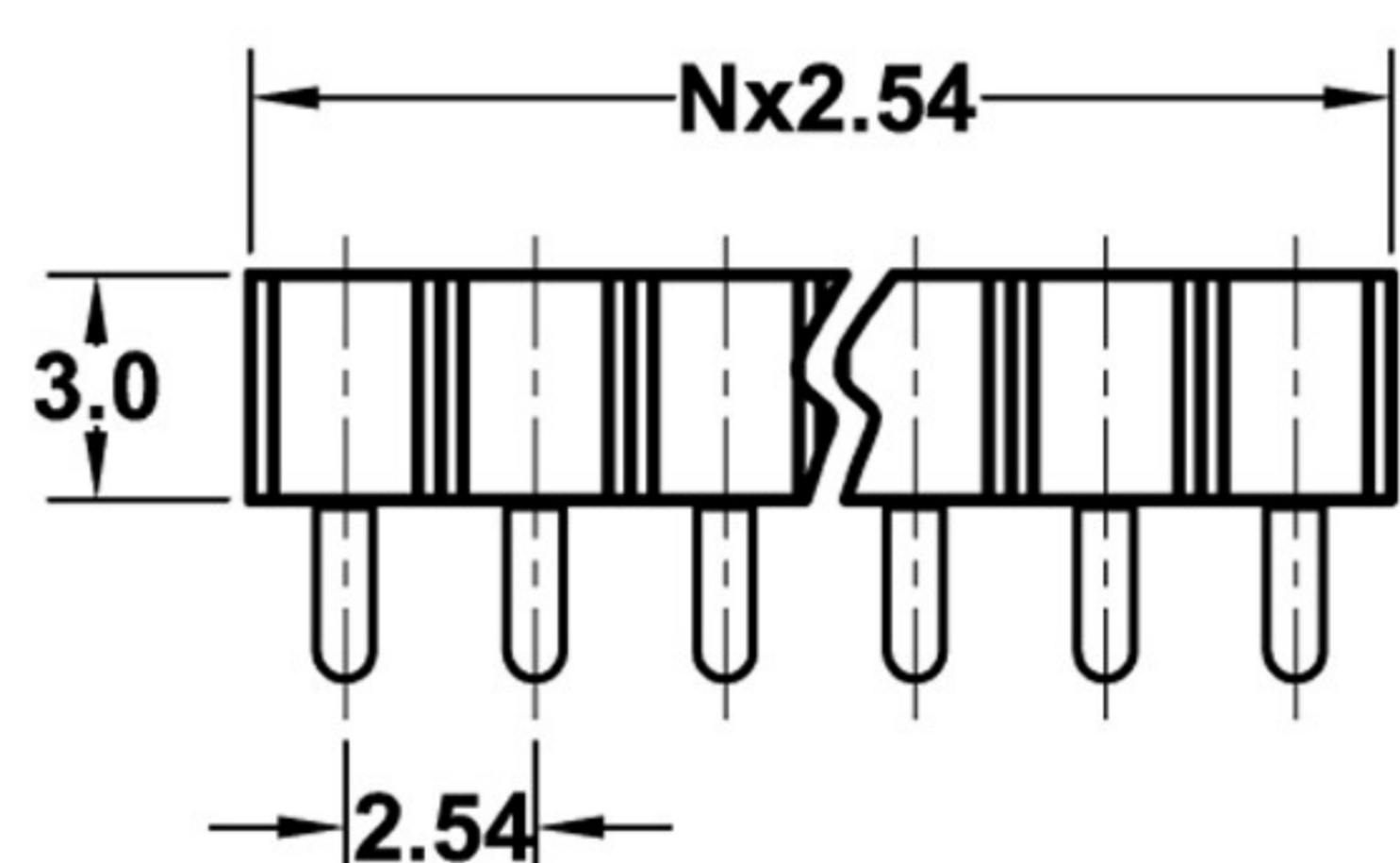
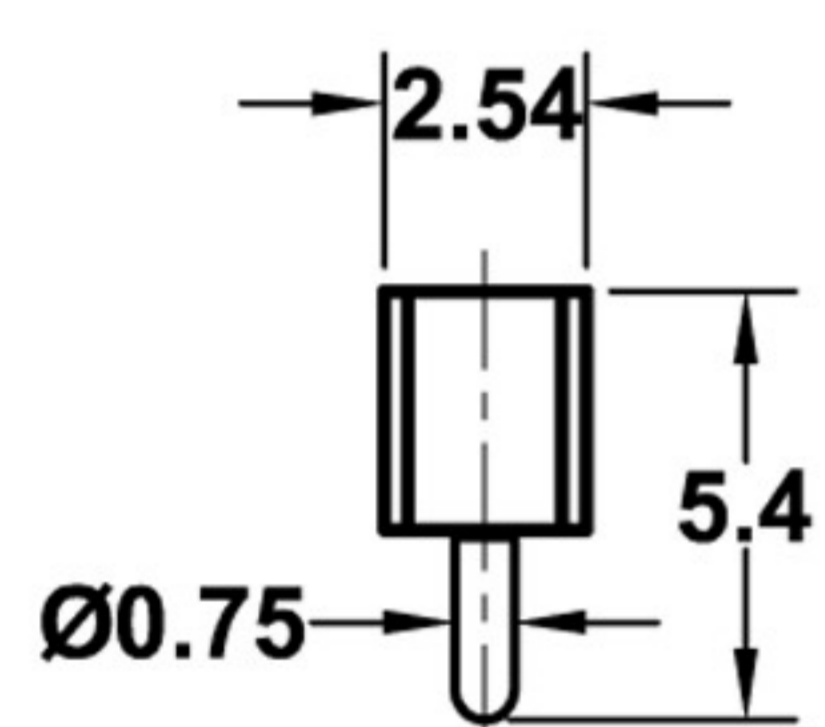
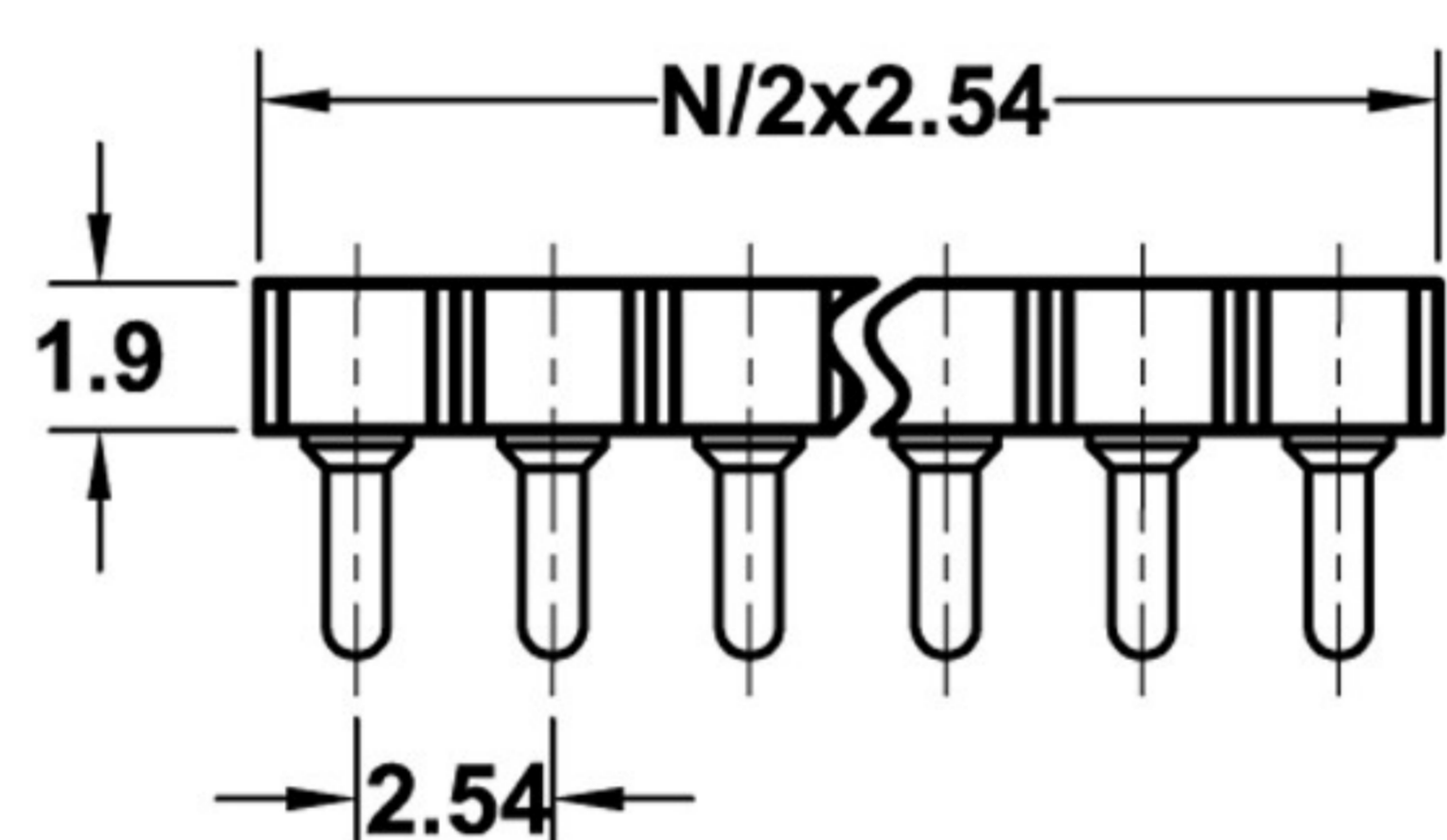
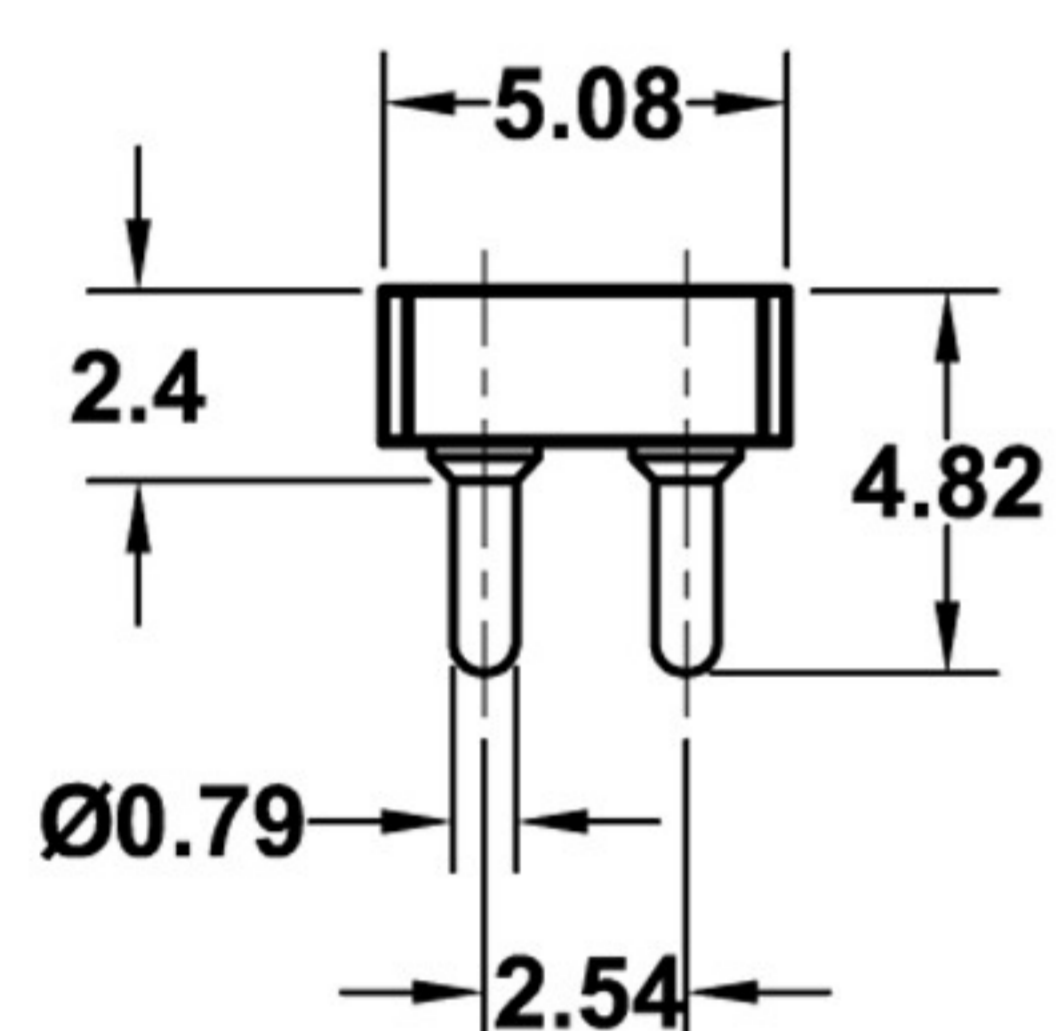
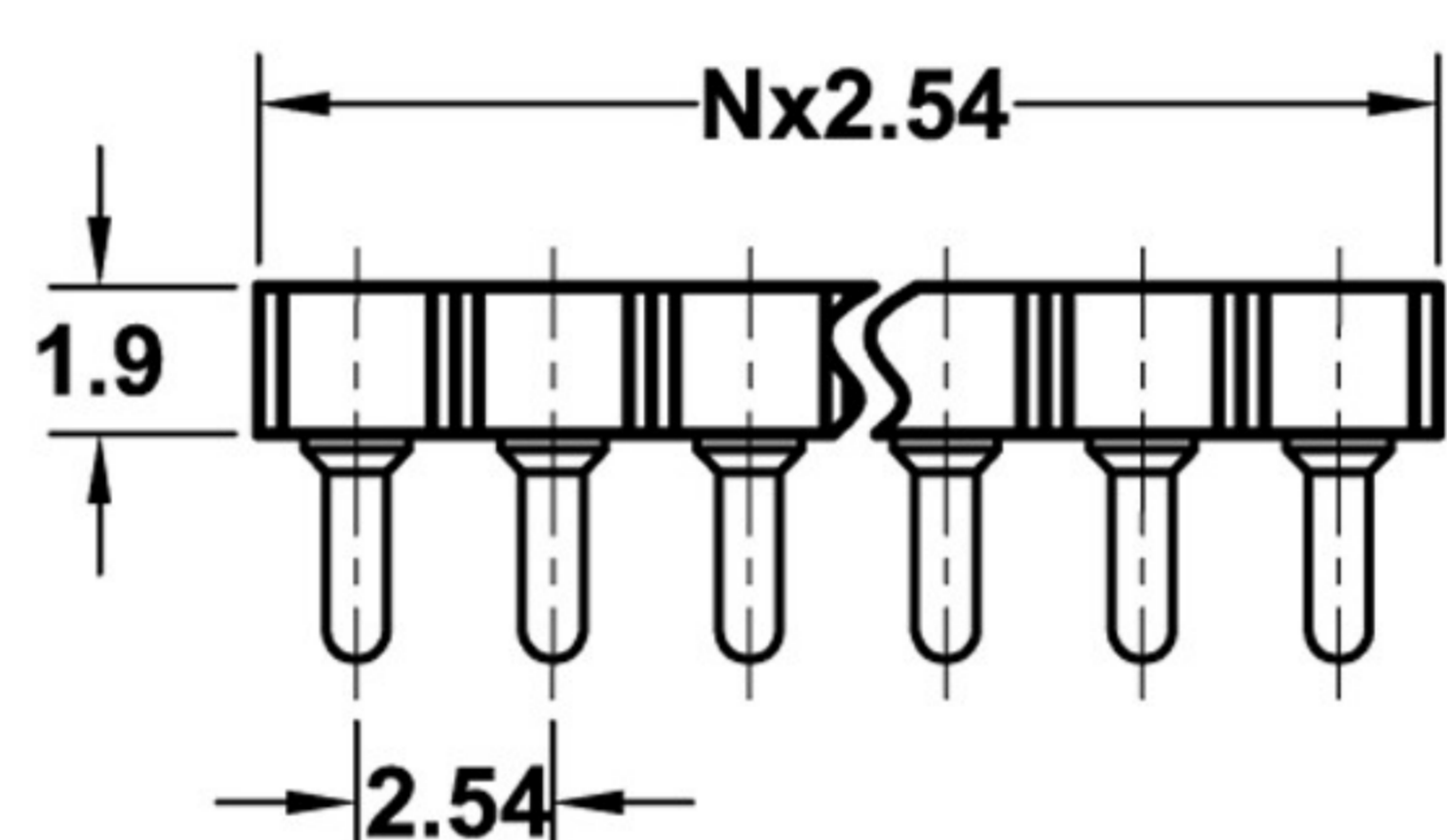
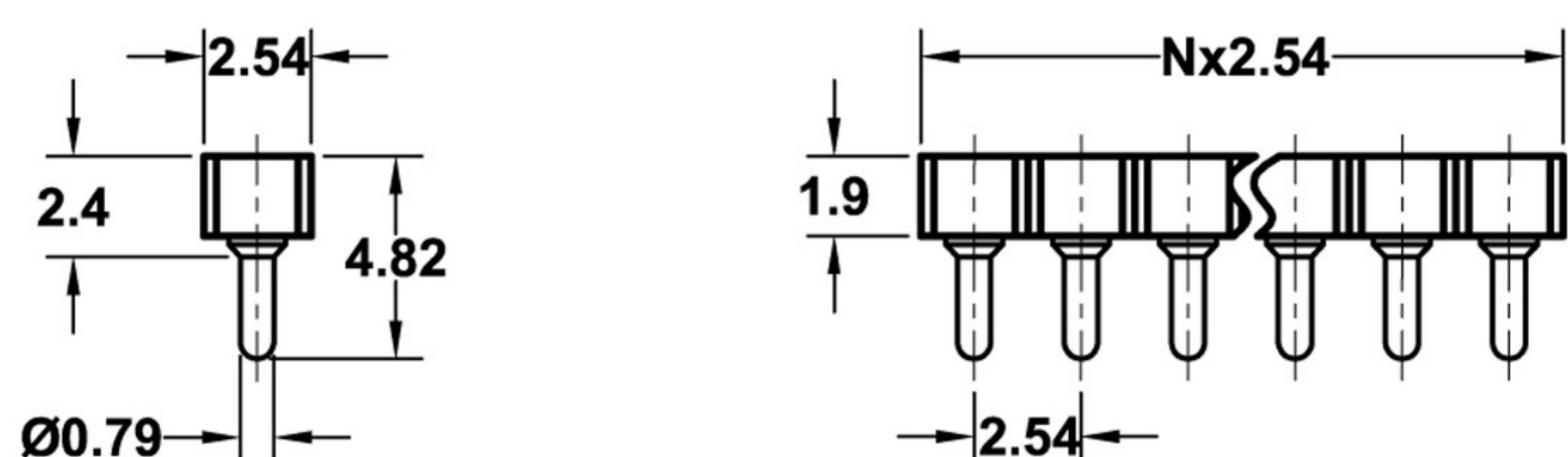
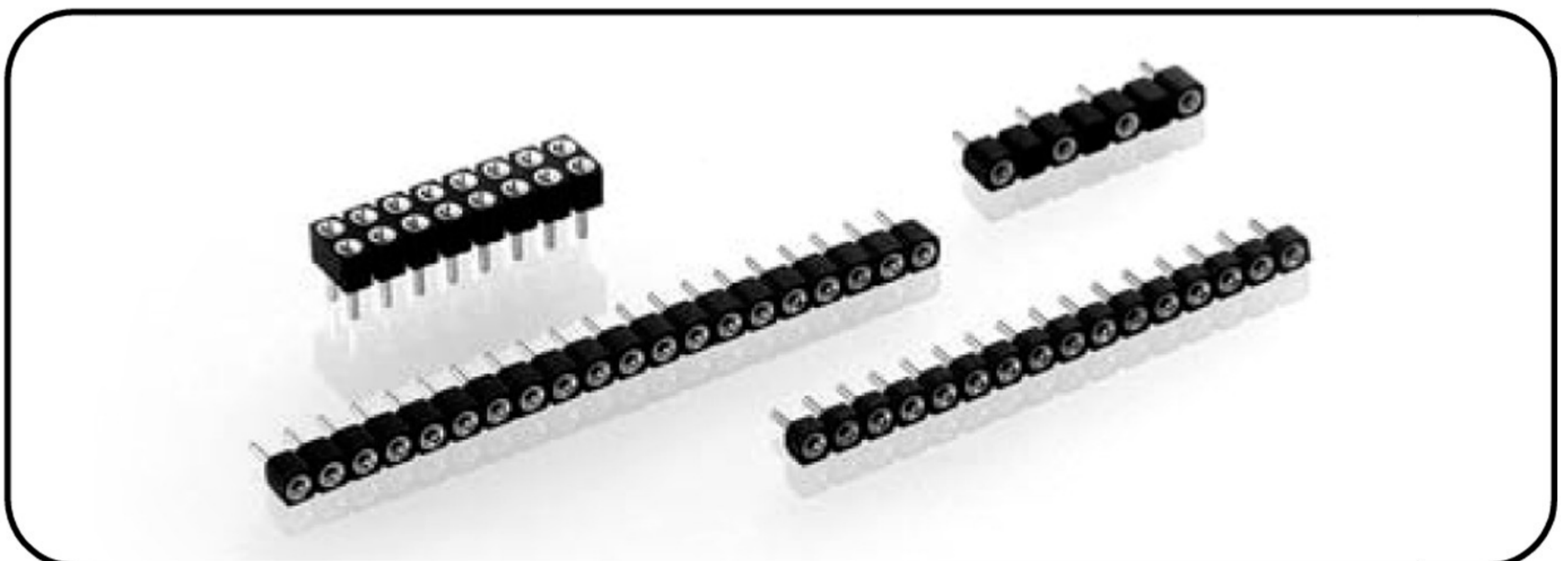
TEL:86-755-84106483 61121902
 FAX:86-755-61121902
 E-mail:ivan@pizconn.com.cn

Ordering information

TPA1- NNN X - A P P 0482A

No. of Positions	Insulator Type code	Pin Plating code	Clip Plating code
	1 Single row	1 Tin150 μ "	1 Tin150 μ "
	2 Double row	2 Tin200 μ "	2 Tin200 μ "
		3 GF	3 GF
		4 Gold2 μ "	4 Gold2 μ "
		5 Gold3 μ "	5 Gold3 μ "
		6 Gold10 μ "	6 Gold10 μ "
		7 Gold15 μ "	7 Gold15 μ "
		S Special	S Special

Series: TPA1



Socket connectors strips, Solder tail

Technical Specs:

Insulator:	Black glass filled polyester PPS-GF30-FR
Flammability:	UL 94V-O
Sleeve:	Brass CuZn 36pb3(36000)
Contact clip (4 finger):	Beryllium copper (C17200)
Mating pin \varnothing :	0.40 to 0.56 mm
Forces:	(polished steel gauge $\varnothing 0.43\text{mm}$)
-Insertion	3 N typ.
-Withdrawal	1.5 N typ.
Mechanical life:	min 500 cycles
Rated current:	3 A
Contact resistance:	max 10 m Ω
Dielectric strength:	min 1000V _{RMS}