

4 3 2 1

**Socket connectors 1.778mm**  
Single row  
Solder tail



深圳平志电子有限公司  
SHENZHEN PIZCONN ELECTRONIC CO.,LTD

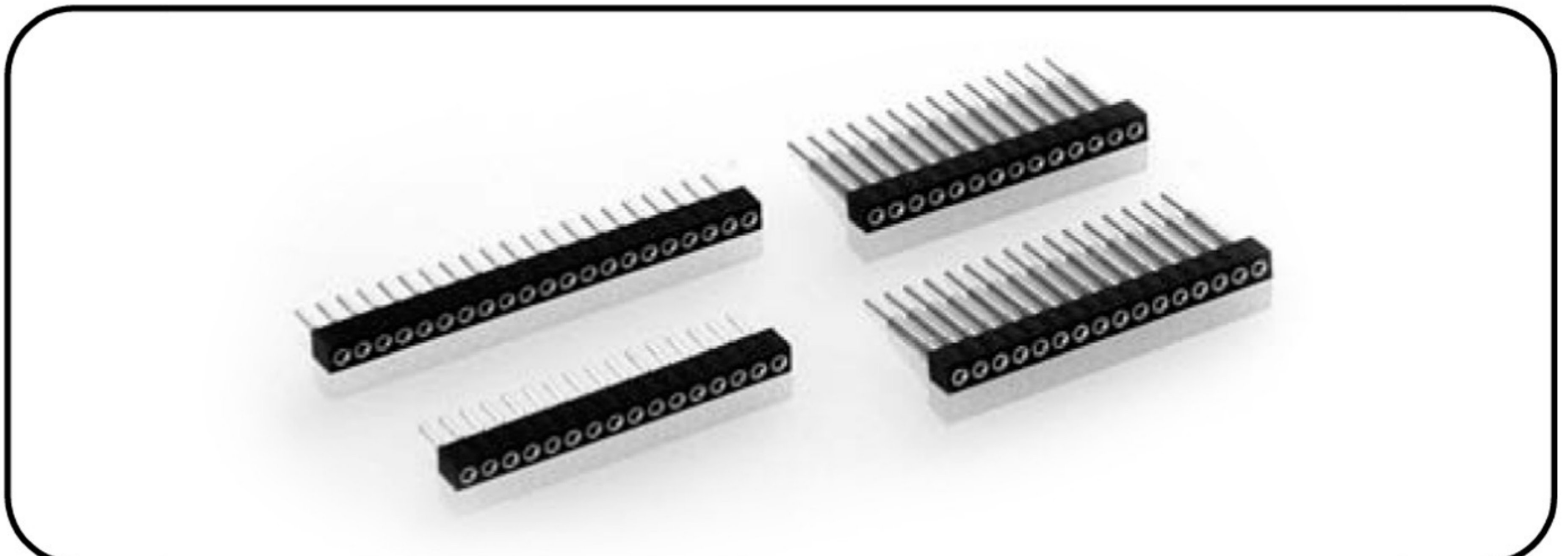
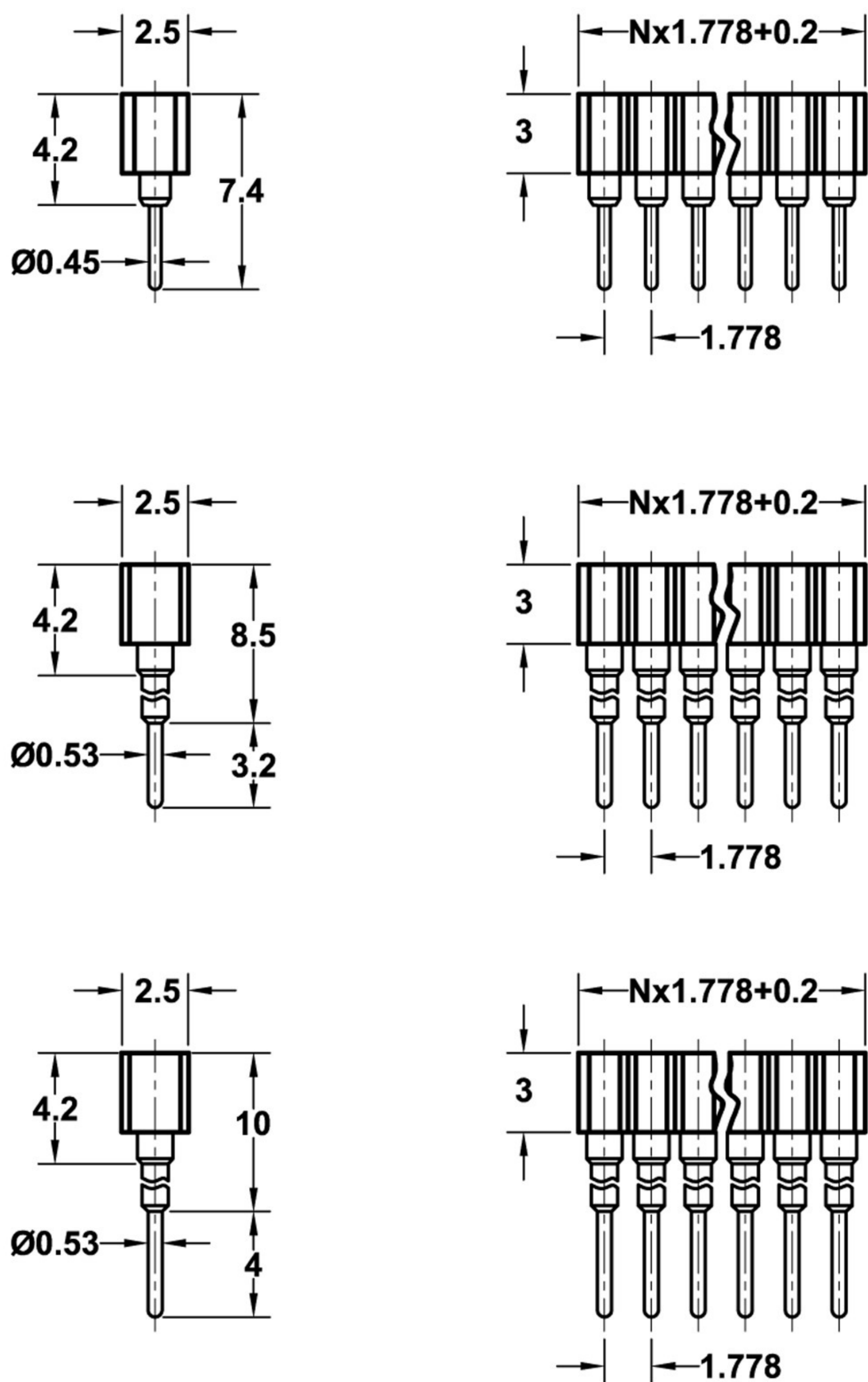
TEL:86-755-84106483 61121902  
FAX:86-755-61121902  
E-mail:ivan@pizconn.com.cn

**Ordering information**

TFA1 - NNN1 - A P P 0740A

No. of Positions	Pin Plating code	Clip Plating code
	1 Tin150μ"	1 Tin150μ"
	2 Tin200μ"	2 Tin200μ"
	3 GF	3 GF
	4 Gold2μ"	4 Gold2μ"
	5 Gold3μ"	5 Gold3μ"
	6 Gold10μ"	6 Gold10μ"
	7 Gold15μ"	7 Gold15μ"
	S Special	S Special

**Series: TFA1**

**Socket connectors**  
With reduced grid spacing 1.778 and 1.8mm  
Solder tail

**Technical Specs:**

Insulator:	Black glass filled polyester PPS-GF30-FR
Flammability:	UL 94V-O
Sleeve:	Brass CuZn 36pb3(36000)
Contact clip (6 finger):	Beryllium copper (C17200)
Mating pin Ø:	0.40 to 0.56 mm
Forces:	(polished steel gauge Ø 0.46mm)
-Insertion	2 N typ.
-Withdrawal	1 N typ.
Mechanical life:	min 500 cycles
Rated current:	1 A
Contact resistance:	max 10 mΩ
Dielectric strength:	min 1000V <sub>RMS</sub>

4 3 2 1

D

C

B

A