

4

3

2

1

Pin connectors 1.778mm

Single row

Solder tail



深圳平志电子有限公司
SHENZHEN PIZCONN ELECTRONIC CO.,LTD

TEL:86-755-84106483 61121902

FAX:86-755-61121902

E-mail:ivan@pizconn.com.cn

Ordering information

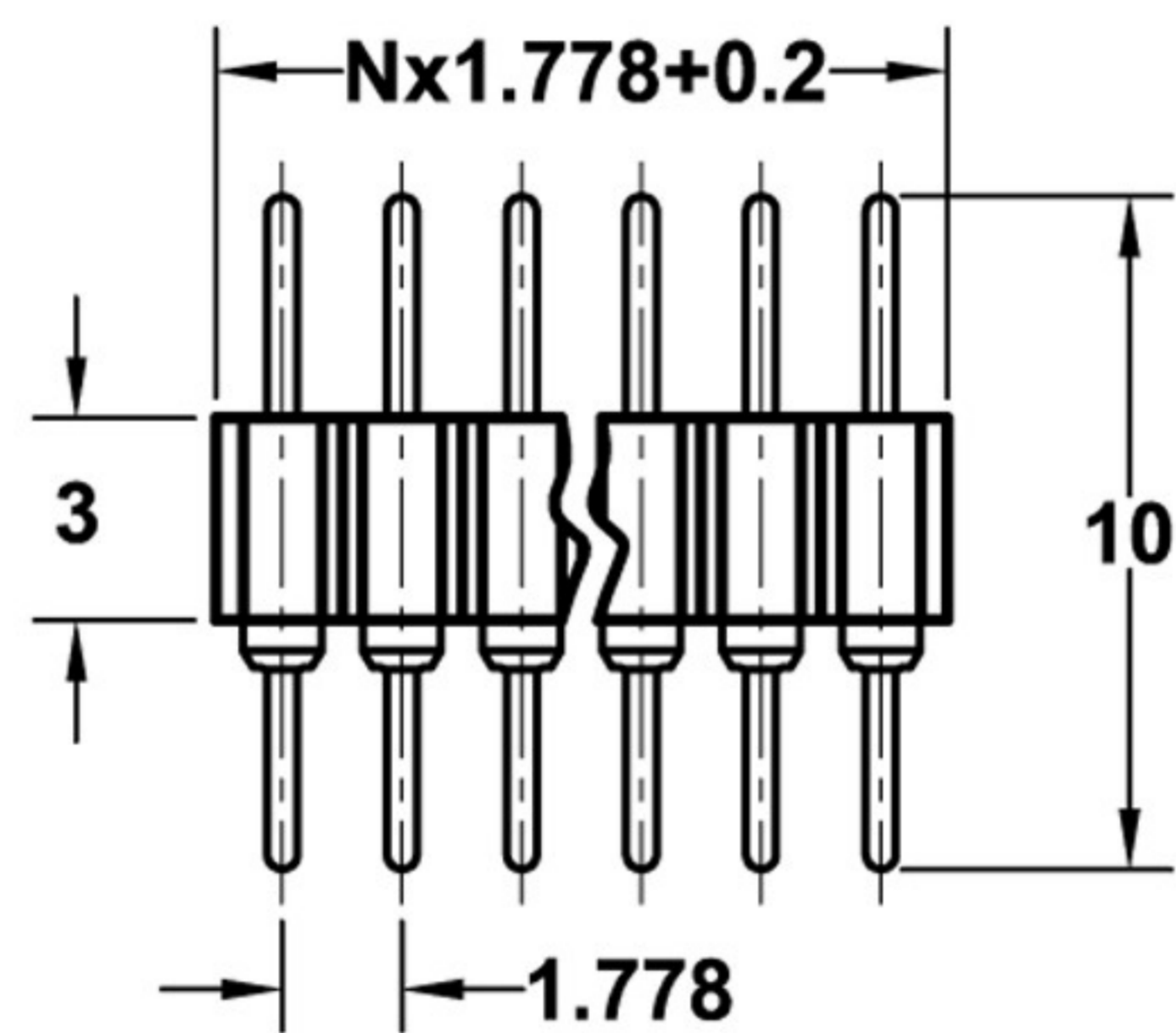
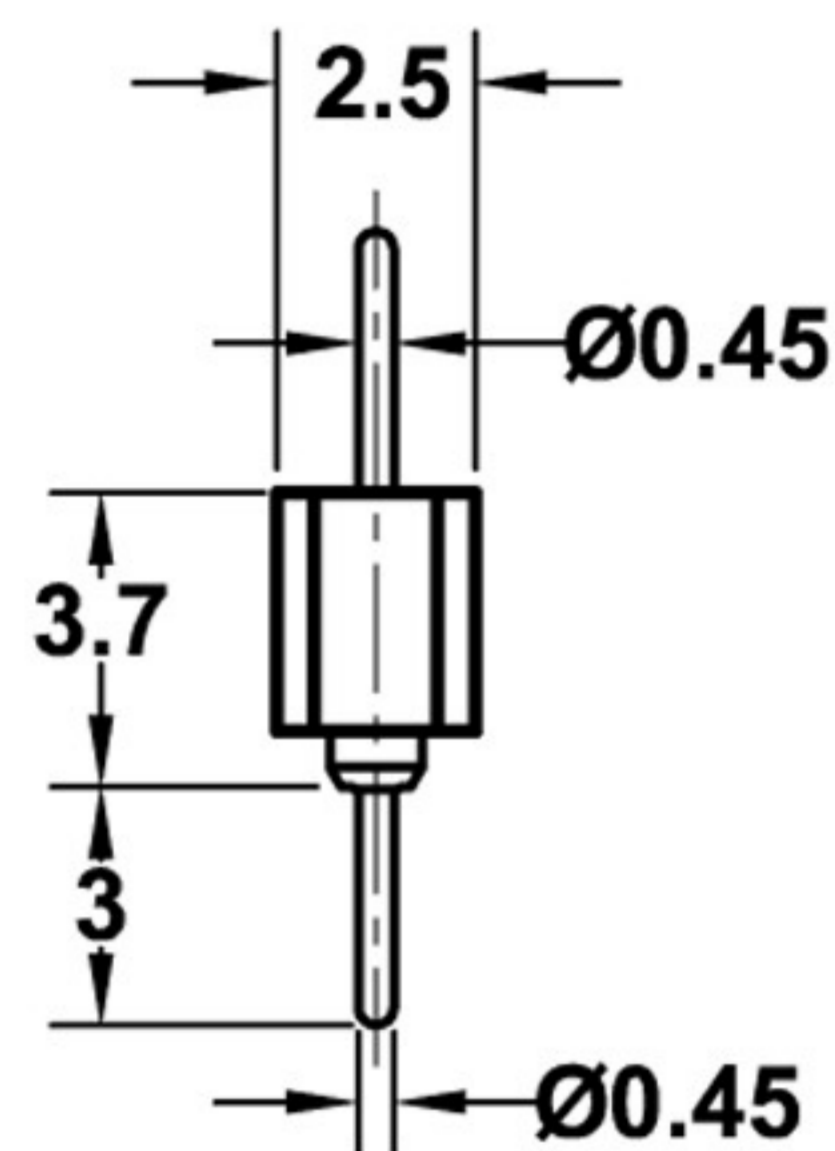
GFA1 - NNN1 - A P 1000A

No. of Positions

Pin Plating code

1	Tin150 μ "
2	Tin200 μ "
3	GF
4	Gold2 μ "
5	Gold3 μ "
6	Gold10 μ "
7	Gold15 μ "
S	Special

Series: GFA1



PCB pin connectors

Solder tail with reduced pin spacing 1.778mm

Technical Specs:

Insulator:	Black glass filled polyester PPS-GF30-FR
Flammability:	UL 94V-O
Sleeve:	Brass CuZn 36pb3(36000)
Mating pin \varnothing :	0.45 mm
Mechanical life:	min 500 cycles
Rated current:	1 A
Contact resistance:	max 10 m Ω
Dielectric strength:	min 1000V _{RMS}

4

3

2

1

D

D

C

C

B

B

A

A