

Pin connectors 1.27mm

Single row/double row/triple row
Solder tail, right angle



深圳平志电子有限公司
SHENZHEN PIZCONN ELECTRONIC CO.,LTD

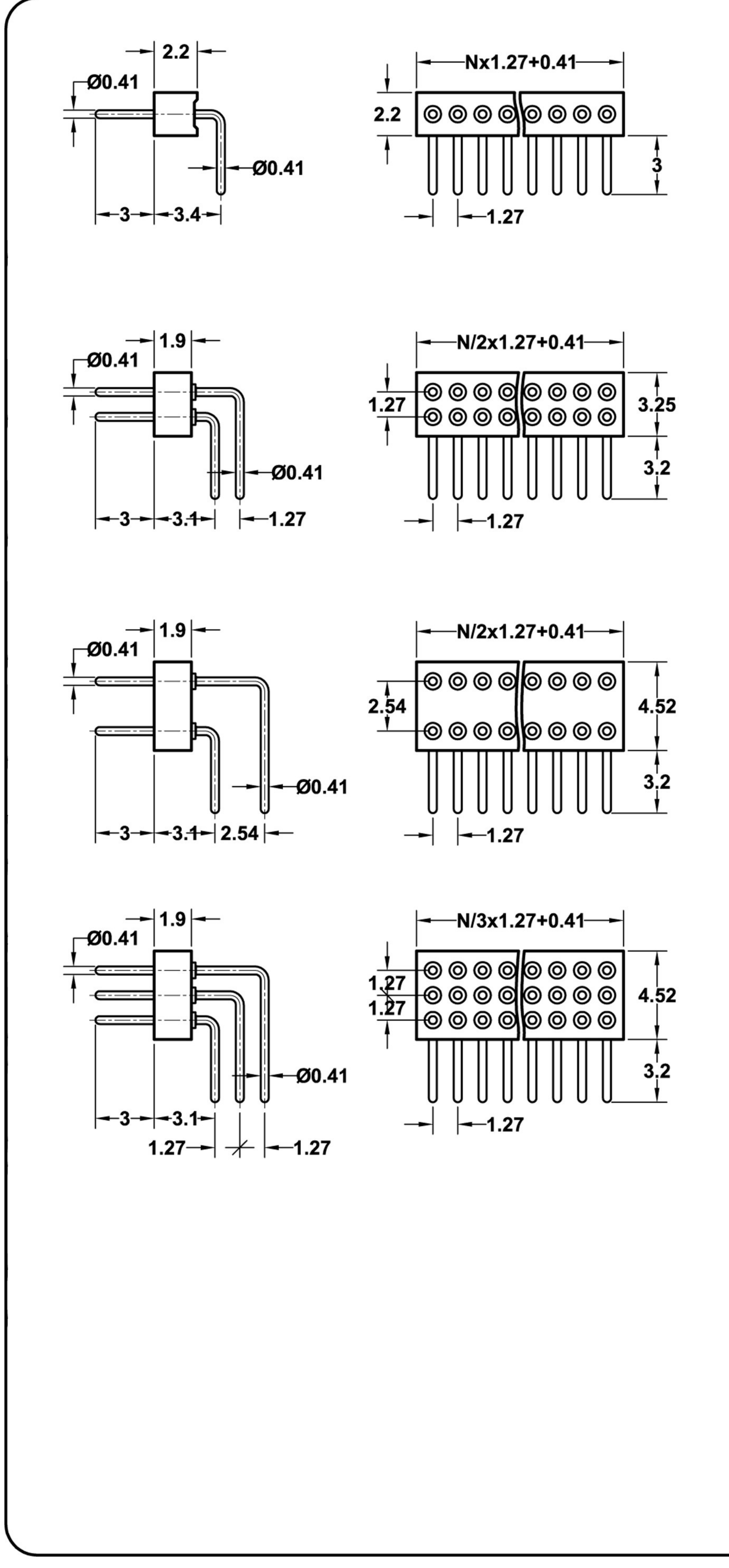
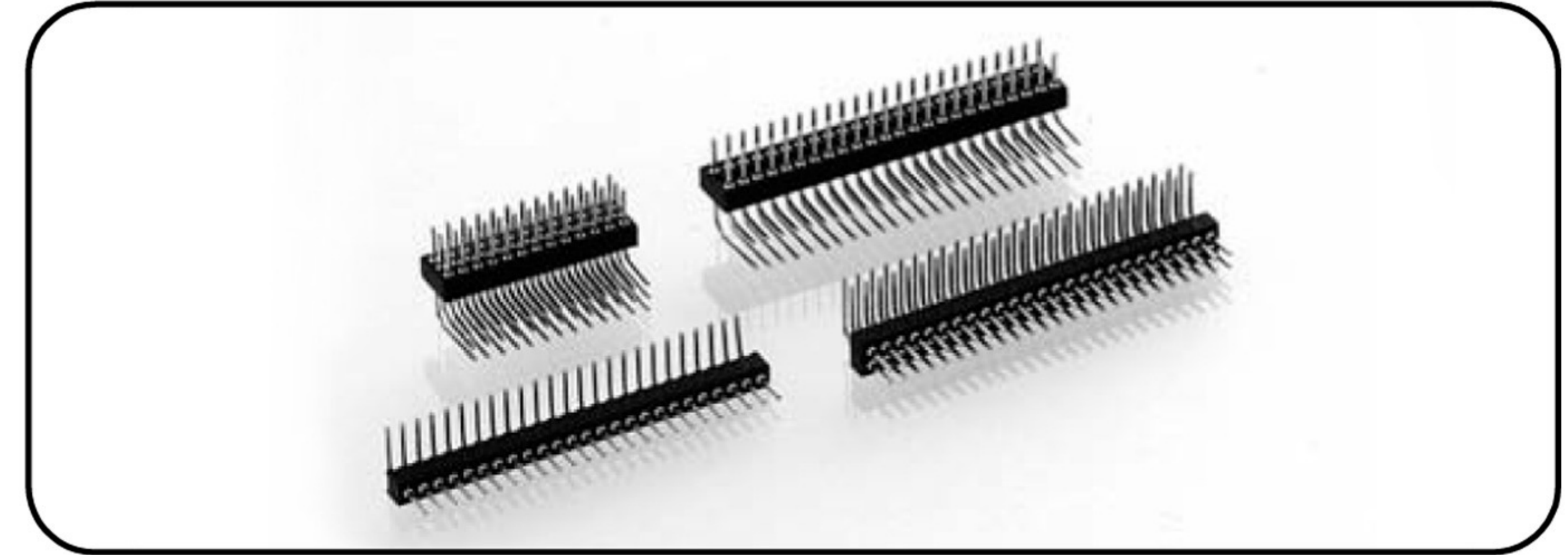
TEL:86-755-84106483 61121902
FAX:86-755-61121902
E-mail:ivan@pizconn.com.cn

Ordering information

GLB - NNN X - A P 1030A

No. of Positions	Insulator Type code	Pin Plating code
	1 Single row	1 Tin150μ"
	2 Double row	2 Tin200μ"
	3 Triple row	3 GF
		4 Gold2μ"
		5 Gold3μ"
		6 Gold10μ"
		7 Gold15μ"
		S Special

Series: GLB



Ultraminiature PCB pin connectors, solder tail right angle

Technical Specs:

Insulator:	Black glass filled polyester PPS-GF30-FR
Flammability:	UL 94V-O
Sleeve:	Brass CuZn 36pb3(36000)
Mating pin Ø:	0.41 mm
Mechanical life:	min 500 cycles
Rated current:	1 A
Contact resistance:	max 10 mΩ
Dielectric strength:	min 1000V _{RMS}